

Denholm 2 Stainless Steel 46cm Washbasin 2 Taphole With Combined Chainstay Overflow

ILLUSTRATED

- S2625** Denholm 2 washbasin 46cm with 2 corner tapholes complete with combined chainstay overflow waste
- B8267** Avon 21 washbasin inclined pillar taps (pair) with dual Hot and Cold indices per tap, self closing push button non concussive, water saving anti-vandal nozzle regulated to 3.7 litres per minute maximum. Alternative low pressure outlet option supplied.
- S8733** Waste 1¼" brass anti theft swivel plug waste, 80mm slotted tail
- S8920** Trap 1¼" plastic resealing bottle, 75mm seal, multi-purpose outlet

ILLUSTRATED PRODUCT DETAILS

Sizes

S2625 w:46 x d:34



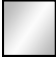

Weights

- S2625** 3.80 KG
- B8267** 2.25 KG
- S8733** 0.35 KG
- S8920** 2.00 KG

Materials

- S2625** Stainless Steel
- B8267** Chrome Plated Brass
- S8733** Chrome Plated Metal
- S8920** Plastic

Finishes

- S2625**  Stainless Steel finish (MY)
- B8267**  Chrome (AA)
- S8733**  Chrome (AA)
- S8920**  Neutral / No Finish (67)

Flow rates

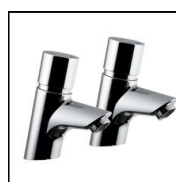
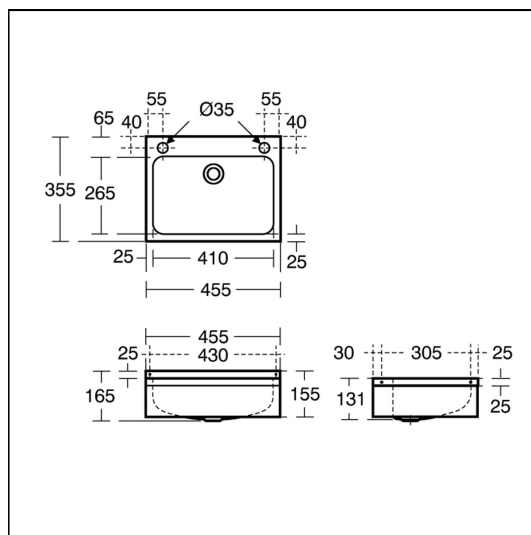
- B8267** 3.7 Litres per minute @ 3 bar pressure

Standards

Steel sheet conforms to BS EN 10088:Part2:2005
Material 1.4301 (304) - 0.9mm

Special Notes

Stainless steel screw to wall brackets and bolts inclusive.
Consideration should be given to safe hot water delivery and the use of an appropriate temperature reduction device see A5900AA or Part G for guidance.



FEATURES

