

# Portman 21 Washbasin 60cm RH Taphole, No Overflow Or Chainstay Hole

## ILLUSTRATED

- S2298** (LB G L) Portman 21 washbasin, 60cm, single right hand taphole, no overflow, no chainstay hole
- E0062** Basin fixing set for IPS panels or block walls
- A6696** (TP6) Markwik 21+ 1 hole thermostatic basin mixer, single sequential lever, demountable with copper tails
- S8734** Waste 1¼" brass swivel plug waste, 80mm unslotted tail
- S8910** Trap 1¼" plastic bottle, 75mm seal, multi-purpose outlet

## OPTIONS

- E0157** Wall fixing set
- A6697** (TP6) Contour 21+ 1 hole thermostatic basin mixer, single sequential lever with copper tails
- A6698** (TP6) Contour 21+ 1 hole thermostatic basin mixer, single sequential lever with flexible tails
- A6790** Contour 21+ Outline 1 hole thermostatic basin mixer, single sequential lever with flexible tails
- S8715** (WT3) Waste 1¼" waste with bead chain & plug 80mm unslotted tail, screw stay
- S8720** (WT1) Waste 1¼" brass strainer waste, 80mm unslotted tail



## ILLUSTRATED PRODUCT DETAILS

### Sizes

**S2298** w:60 x d:48





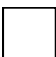
### Weights

- S2298** 16.79 KG
- E0062** 0.10 KG
- A6696** 2.50 KG
- S8734** 0.35 KG
- S8910** 0.20 KG

### Materials

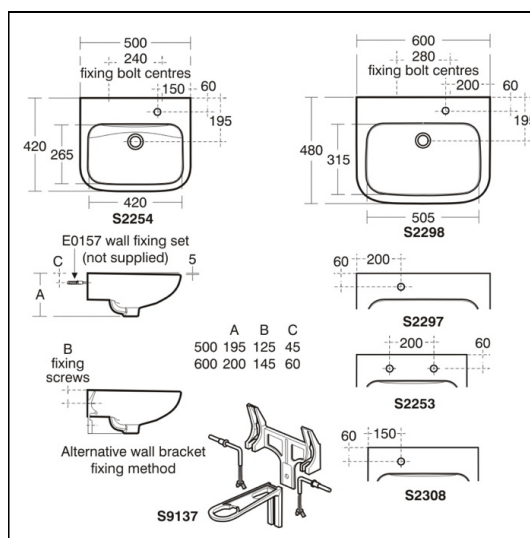
- S2298** Vitreous China
- E0062** Chrome Plated Metal
- A6696** Chrome Plated Brass
- S8734** Chrome Plated Metal
- S8910** Plastic

### Finishes

- S2298**  White (01)
- E0062**  Neutral / No Finish (67)
- A6696**  Chrome (AA)
- S8734**  Chrome (AA)
- S8910**  Neutral / No Finish (67)

### Flow rates

**A6696** 7.9 Litres per minute @ 3 bar pressure



## FEATURES



### Special Notes

S9137 Bracket for 60cm & 50cm basins S9138 Bracket for 40cm basins  
 Recommended fixing heights (floor to front rim);  
 Nursery use 600mm  
 Infant use 700mm  
 Junior use 750mm  
 Senior/adult use 780-800mm.  
 Washbasin wall mounted using E015767 wall fixing set or panel mounted using E006267 fixing set