

Portman 21 Washbasin 60cm 2 Taphole, No Overflow Or Chainstay Hole

ILLUSTRATED

- S2294** Portman 21 washbasin 60cm, 2 tapholes, no overflow or chainstay hole
- B8262** (TP5) Piccolo 21 inclined 1/2" washbasin pillar taps, lever operated, dual hot and cold indices, anti-vandal water saving nozzle
- S8715** (WT3) Waste 1 1/4" waste with bead chain & plug 80mm unslotted tail, screw stay
- S8920** (TRR1/P) Trap 1 1/4" plastic resealing bottle, 75mm seal, multi-purpose outlet

OPTIONS

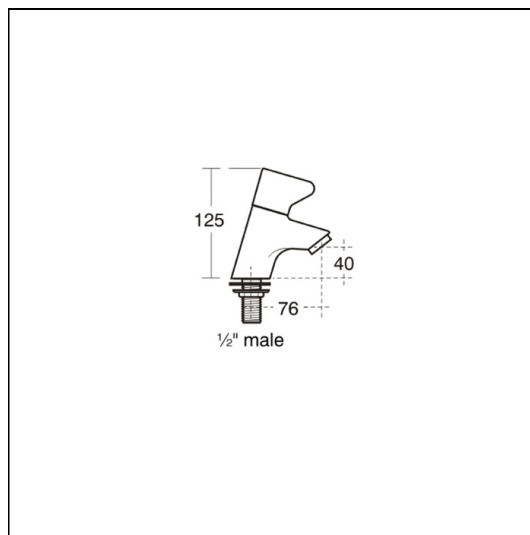
- E0157** Wall fixing set
- E0062** Basin fixing set for IPS panels or block walls
- B8267** Avon 21 washbasin inclined pillar taps (pair) with dual Hot and Cold indices per tap, self closing push button non concussive, water saving anti-vandal nozzle regulated to 3.7 litres per minute maximum. Alternative low pressure outlet option supplied.
- S8720** (WT1) Waste 1 1/4" brass strainer waste, 80mm unslotted tail
- A5900** TMV Thermostatic mixing valve 15mm

ILLUSTRATED PRODUCT DETAILS

Sizes	Finishes
S2294 w:60 x d:48	S2294 <input type="checkbox"/> White (01)
Weights	B8262 <input type="checkbox"/> Chrome (AA)
S2294 16.79 KG	S8715 <input type="checkbox"/> Chrome (AA)
B8262 1.60 KG	S8920 <input type="checkbox"/> Neutral / No Finish (67)
S8715 0.28 KG	
S8920 2.00 KG	
Materials	Flow rates
S2294 Vitreous China	B8262 5 Litres per minute @ 3 bar pressure
B8262 Chrome Plated Brass	
S8715 Chrome Plated Metal	
S8920 Plastic	

Special Notes

S9137 Bracket for 60cm& 50cm basins S9138 Bracket for 40cm basins
 Recommended fixing heights (floor to front rim);
 Nursery use 600mm
 Infant use 700mm
 Junior use 750mm
 Senior/adult use 780-800mm.
 Washbasin wall mounted using E015767 wall fixing set or panel mounted using E006267 fixing set



FEATURES

