

Portman 21 Washbasin 60cm 1 Taphole No Overflow Or Chainstay Hole

ILLUSTRATED

- S2293** Portman 21 washbasin 60cm, 1 taphole, no overflow or chainstay hole
- S8800** Waste 1¼" plastic waste with bead chain and plug, 80mm slotted tail, bolt stay
- S8920** Trap 1¼" plastic resealing bottle, 75mm seal, multi-purpose outlet

OPTIONS

- E0062** Basin fixing set for IPS panels or block walls
- E0157** Wall fixing set
- B8262** Piccolo 21 inclined ½" washbasin pillar taps, lever operated, dual hot and cold indices, anti-vandal water saving nozzle



ILLUSTRATED PRODUCT DETAILS

Sizes

S2293 w:60 x d:48

Weights

S2293 16.79 KG
S8800 0.08 KG
S8920 2.00 KG

Materials

S2293 Vitreous China
S8800 Chrome Plated Plastic
S8920 Plastic

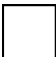

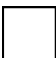
Standards

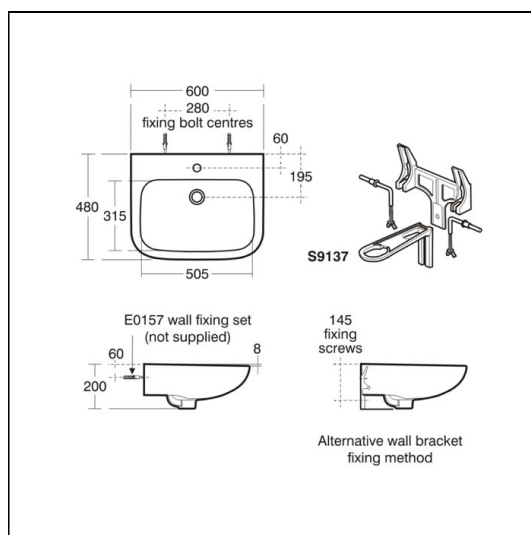
Vitreous china to BS 3402. Washbasin to BS EN 14688 & BS EN 31

Special Notes

Washbasin wall mounted using E0157 wall fixing set or panel mounted using E0062 fixing set. Alternatively S9137 or S9138 Brackets can be used.

Finishes

- S2293**  White (01)
- S8800**  Chrome (AA)
- S8920**  Neutral / No Finish (67)



FEATURES

