

# Portman 21 Washbasin 50cm RH Taphole, No Overflow Or Chainstay Hole

## ILLUSTRATED

- S2254** (LB G M) Portman 21 washbasin 50cm, 1 right hand taphole, no overflow, no chainstay hole
- A6696** (TP6) Markwik 21+ 1 hole thermostatic basin mixer, single sequential lever, demountable with copper tails
- S8715** (WT3) Waste 1¼" waste with bead chain & plug 80mm unslotted tail, screw stay
- S8920** (TRR1/P) Trap 1¼" plastic resealing bottle, 75mm seal, multi-purpose outlet

## OPTIONS

- E0157** Wall fixing set
- E0062** Basin fixing set for IPS panels or block walls
- A6697** (TP6) Contour 21+ 1 hole thermostatic basin mixer, single sequential lever with copper tails
- S8734** Waste 1¼" brass swivel plug waste, 80mm unslotted tail
- S8720** (WT1) Waste 1¼" brass strainer waste, 80mm unslotted tail
- S8900** Trap 1¼" metal bottle, 75mm seal, outlet screwed 1¼" BSP male with compression nut and ring



## ILLUSTRATED PRODUCT DETAILS

### Sizes

**S2254** w:50 x d:42





### Weights

- S2254** 12.73 KG
- A6696** 2.50 KG
- S8715** 0.28 KG
- S8920** 2.00 KG

### Materials

- S2254** Vitreous China
- A6696** Chrome Plated Brass
- S8715** Chrome Plated Metal
- S8920** Plastic

### Finishes

- S2254**  White (01)
- A6696**  Chrome (AA)
- S8715**  Chrome (AA)
- S8920**  Neutral / No Finish (67)

### Flow rates

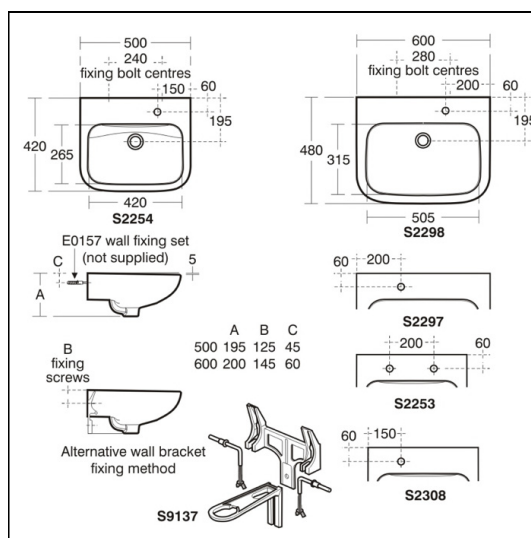
- A6696** 7.9 Litres per minute @ 3 bar pressure

### Standards

Vitreous china to BS 3402.  
Washbasin to BS EN 14688 & BS EN 31

### Special Notes

Consideration should be given to safe hot water delivery and the use of an appropriate temperature reduction device. For use in connection with personal washing (face, forearms and hands etc.) not for use in clinical areas. Suggested rim height 780-800mm



## FEATURES

