

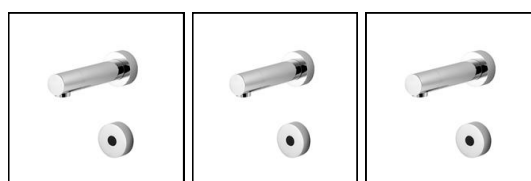
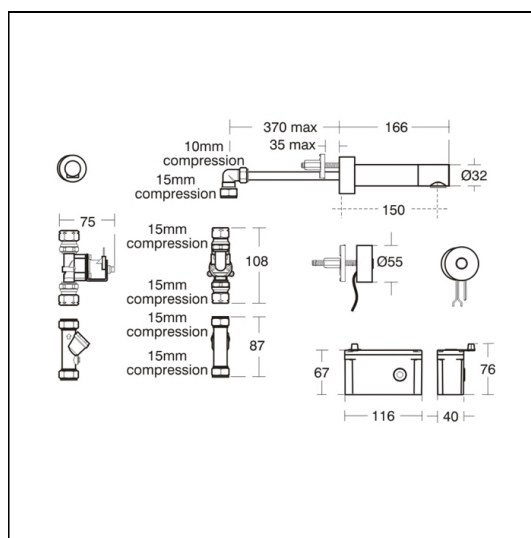
Portman 21 Washbasin 50cm No Taphole, Chainstay Or Overflow

ILLUSTRATED

- S2251** Portman 21 washbasin 50cm, no tapholes no overflow no chainstay hole
- A4180** Sensorflow 21 tubular panel mounted 150mm projection spout anti splash or aerated outlet remote panel sensor, copper tube inlets, mains
- S8720** (WT1) Waste 1¼" brass strainer waste, 80mm unslotted tail
- S8920** (TRR1/P) Trap 1¼" plastic resealing bottle, 75mm seal, multi-purpose outlet

OPTIONS

- E0157** Wall fixing set
- A4181** Sensorflow 21 tubular panel mounted 150mm projection spout anti splash or aerated outlet remote panel sensor, copper tube inlets, link
- A4126** Sensorflow 21 tubular panel mounted 150mm projection spout anti splash or aerated outlet remote panel sensor, copper tube inlets, battery
- A4845** Sensorflow 21 compact tubular panel mounted 150mm projection spout, anti splash or anti vandal laminar flow outlet, integral sensor, copper tube inlets, battery
- A4846** Sensorflow 21 compact tubular panel mounted 150mm projection spout, anti splash or anti vandal laminar flow outlet, integral sensor, copper tube inlets, mains
- A4847** Sensorflow 21 compact tubular panel mounted 150mm projection spout, anti splash or anti vandal laminar flow outlet, integral sensor, copper tube inlets, link
- A4178** Sensorflow 21 panel mounted 15cm cast spout integral sensor, flexible inlet tail, solenoid valve, combined servicing valve and filter, sensor and solenoid cables, copper tube inlets, mains
- A5900** TMV Thermostatic mixing valve 15mm



ILLUSTRATED PRODUCT DETAILS

Sizes

S2251 w:50 x d:42

Weights

S2251 12.73 KG

A4180 2.45 KG

S8720 0.23 KG

S8920 2.00 KG

Materials

S2251 Vitreous China

A4180 Chrome Plated Brass

S8720 Chrome Plated


S8920 Plastic

Finishes

S2251  White (01)

A4180  Chrome (AA)

S8720  Chrome (AA)

S8920  Neutral / No Finish (67)

Flow rates

A4180 3.7 Litres per minute @ 3 bar pressure

FINISH OPTIONS



FEATURES



Portman 21 Washbasin 50cm No Taphole, Chainstay Or Overflow

finish

Special Notes

S9137 Bracket for 60cm& 50cm basins S9138 Bracket for 40cm basins

Recommended fixing heights (floor to front rim);

Nursery use 600mm

Infant use 700mm

Junior use 750mm

Senior/adult use 780-800mm.

Washbasin wall mounted using E015767 wall fixing set or panel mounted using E006267 fixing set