

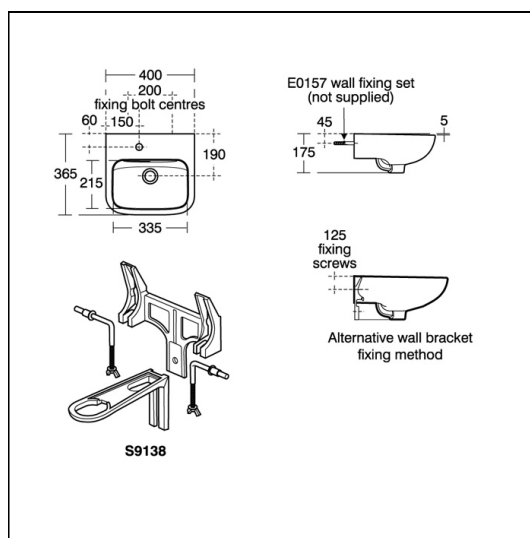
Portman 21 Washbasin 40cm LH Taphole, No Overflow Or Chainstay Hole

ILLUSTRATED

- S2159** (LB G S) Portman 21 washbasin 40cm, 1 left hand taphole no overflow, no chainstay hole
- E0157** Wall fixing set
- A6697** (TP6) Contour 21+ 1 hole thermostatic basin mixer, single sequential lever with copper tails
- S8720** (WT1) Waste 1¼" brass strainer waste, 80mm unslotted tail
- S8920** (TRR1/P) Trap 1¼" plastic resealing bottle, 75mm seal, multi-purpose outlet

OPTIONS

- E0062** Basin fixing set for IPS panels or block walls
- B8263** Avon 21 washbasin mixer 1 hole, self closing push button, variable temperature control with 15mm female connector flexible hoses on inlets
- B8861** (TPP1) Avon 21 washbasin mixer 1 hole, self closing push button, variable temperature with copper tube inlets
- A6698** (TP6) Contour 21+ 1 hole thermostatic basin mixer, single sequential lever with flexible tails
- A6790** Contour 21+ Outline 1 hole thermostatic basin mixer, single sequential lever with flexible tails
- S8715** (WT3) Waste 1¼" waste with bead chain & plug 80mm unslotted tail, screw stay
- S8734** Waste 1¼" brass swivel plug waste, 80mm unslotted tail
- S9138** Bracket concealed with clamps and centre waste support for Portman 21, 40cm washbasins



ILLUSTRATED PRODUCT DETAILS

Sizes

S2159 w:40 x d:37

Weights

- S2159** 9.70 KG
- E0157** 0.16 KG
- A6697** 2.10 KG
- S8720** 0.23 KG
- S8920** 2.00 KG

Materials

- S2159** Vitreous China
- E0157** Metal
- A6697** Chrome Plated Brass
- S8720** Chrome Plated
- S8920** Plastic

Finishes

- S2159** White (01)
- E0157** Neutral / No Finish (67)
- A6697** Chrome (AA)
- S8720** Chrome (AA)
- S8920** Neutral / No Finish (67)

Flow rates

A6697 3.9 Litres per minute @ 3 bar pressure



FEATURES



FINISH OPTIONS

 (MY) Stainless Steel finish

 (AA) Chrome

Standards

Vitreous china to BS 3402

E: info@idealspec.co.uk | T: 0870 122 8822 | F: 0870 122 8282 | www.idealspec.co.uk

Ideal Standard (UK) Ltd. makes every effort to ensure that the information provided on its website is accurate. However, we cannot guarantee this, and accept no liability for any information or advice given via its website.

Portman 21 Washbasin 40cm LH Taphole, No Overflow Or Chainstay Hole

Special Notes

S9138 Bracket for 40cm basins

Recommended fixing heights (floor to front rim);

Nursery use 600mm

Infant use 700mm

Junior use 750mm

Senior/adult use 780-800mm.

Washbasin wall mounted using E015767 wall fixing set or panel mounted using E006267 fixing set