

# Portman 21 Washbasin 40cm 2 Taphole At 100mm, No Overflow or Chainstay Hole

## ILLUSTRATED

- S2158** Portman 21 washbasin 40cm, 2 tapholes at 100mm centres, no overflow or chainstay hole
- E0157** Wall fixing set
- B8267** Avon 21 washbasin inclined pillar taps (pair) with dual Hot and Cold indices per tap, self closing push button non concussive, water saving anti-vandal nozzle regulated to 3.7 litres per minute maximum. Alternative low pressure outlet option supplied.
- S8720** (WT1) Waste 1¼" brass strainer waste, 80mm unslotted tail
- S8920** (TRR1/P) Trap 1¼" plastic resealing bottle, 75mm seal, multi-purpose outlet

## OPTIONS

- E0062** Basin fixing set for IPS panels or block walls
- B8262** (TP5) Piccolo 21 inclined ½" washbasin pillar taps, lever operated, dual hot and cold indices, anti-vandal water saving nozzle
- B9881** Sandringham 21 washbasin pillar taps, lever handles
- S8715** (WT3) Waste 1¼" waste with bead chain & plug 80mm unslotted tail, screw stay
- S8734** Waste 1¼" brass swivel plug waste, 80mm unslotted tail
- A5900** TMV Thermostatic mixing valve 15mm
- S9138** Bracket concealed with clamps and centre waste support for Portman 21, 40cm washbasins

## ILLUSTRATED PRODUCT DETAILS

### Sizes

**S2158** w:40 x d:37

### Weights

**S2158** 9.70 KG

**E0157** 0.16 KG

**B8267** 2.25 KG

**S8720** 0.23 KG

**S8920** 2.00 KG

### Materials

**S2158** Vitreous China

**E0157** Metal

**B8267** Chrome Plated Brass

**S8720** Chrome Plated

**S8920** Plastic

### Finishes

**S2158**  White (01)

**E0157**  Neutral / No Finish (67)

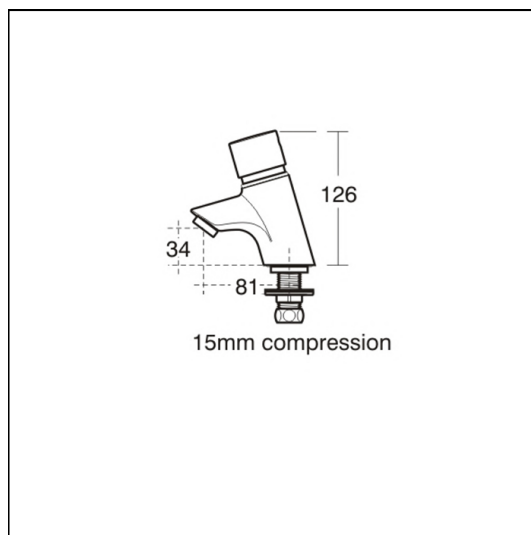
**B8267**  Chrome (AA)

**S8720**  Chrome (AA)

**S8920**  Neutral / No Finish (67)

### Flow rates

**B8267** 3.7 Litres per minute @ 3 bar pressure



## FEATURES



## FINISH OPTIONS



(MY) Stainless Steel finish



(AA) Chrome

## Special Notes

E: [info@idealspec.co.uk](mailto:info@idealspec.co.uk) | T: 0870 122 8822 | F: 0870 122 8282 | [www.idealspec.co.uk](http://www.idealspec.co.uk)

Ideal Standard (UK) Ltd. makes every effort to ensure that the information provided on its website is accurate. However, we cannot guarantee this, and accept no liability for any information or advice given via its website.

## Portman 21 Washbasin 40cm 2 Taphole At 100mm, No Overflow or Chainstay Hole

S9138 Bracket for 40cm basins

Recommended fixing heights (floor to front rim);

Nursery use 600mm

Infant use 700mm

Junior use 750mm

Senior/adult use 780-800mm.

Washbasin wall mounted using E015767 wall fixing set or panel mounted using E006267 fixing set