

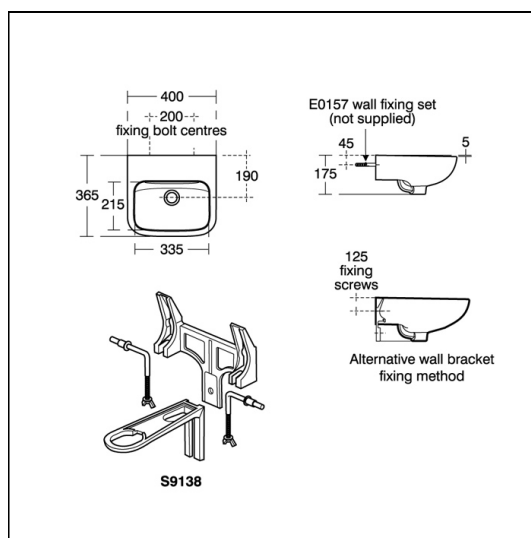
Portman 21 Washbasin 40cm No Taphole, Chainstay Or Overflow

ILLUSTRATED

- S2156** Portman 21 washbasin 40cm, no tapholes no overflow no chainstay hole
- E0157** Wall fixing set
- A4178** Sensorflow 21 panel mounted 15cm cast spout integral sensor, flexible inlet tail, solenoid valve, combined servicing valve and filter, sensor and solenoid cables, copper tube inlets, mains
- S8720** (WT1) Waste 1¼" brass strainer waste, 80mm unslotted tail
- S8920** (TRR1/P) Trap 1¼" plastic resealing bottle, 75mm seal, multi-purpose outlet

OPTIONS

- E0062** Basin fixing set for IPS panels or block walls
- A4845** Sensorflow 21 compact tubular panel mounted 150mm projection spout, anti splash or anti vandal laminar flow outlet, integral sensor, copper tube inlets, battery
- A4846** Sensorflow 21 compact tubular panel mounted 150mm projection spout, anti splash or anti vandal laminar flow outlet, integral sensor, copper tube inlets, mains
- A4847** Sensorflow 21 compact tubular panel mounted 150mm projection spout, anti splash or anti vandal laminar flow outlet, integral sensor, copper tube inlets, link
- A4126** Sensorflow 21 tubular panel mounted 150mm projection spout anti splash or aerated outlet remote panel sensor, copper tube inlets, battery
- A4180** Sensorflow 21 tubular panel mounted 150mm projection spout anti splash or aerated outlet remote panel sensor, copper tube inlets, mains
- A4181** Sensorflow 21 tubular panel mounted 150mm projection spout anti splash or aerated outlet remote panel sensor, copper tube inlets, link
- S8734** Waste 1¼" brass swivel plug waste, 80mm unslotted tail
- S8715** (WT3) Waste 1¼" waste with bead chain & plug 80mm unslotted tail, screw stay
- A5900** TMV Thermostatic mixing valve 15mm
- S9138** Bracket concealed with clamps and centre waste support for Portman 21, 40cm washbasins



ILLUSTRATED PRODUCT DETAILS

Sizes

S2156 w:40 x d:37

Weights

- S2156** 9.70 KG
- E0157** 0.16 KG
- A4178** 2.40 KG
- S8720** 0.23 KG
- S8920** 2.00 KG

Materials

- S2156** Vitreous China
- E0157** Metal

Finishes

- S2156** White (01)
- E0157** Neutral / No Finish (67)
- A4178** Chrome (AA)
- S8720** Chrome (AA)
- S8920** Neutral / No Finish (67)

FEATURES



Portman 21 Washbasin 40cm No Taphole, Chainstay Or Overflow

A4178 Chrome Plated Brass
S8720 Chrome Plated
S8920 Plastic

Flow rates

A4178 4.7 Litres per minute @ 3 bar pressure

FINISH OPTIONS



Special Notes

S9138 Bracket for 40cm basins
 Recommended fixing heights (floor to front rim);
 Nursery use 600mm
 Infant use 700mm
 Junior use 750mm
 Senior/adult use 780-800mm.
 Washbasin wall mounted using E015767 wall fixing set or panel mounted using E006267 fixing set