

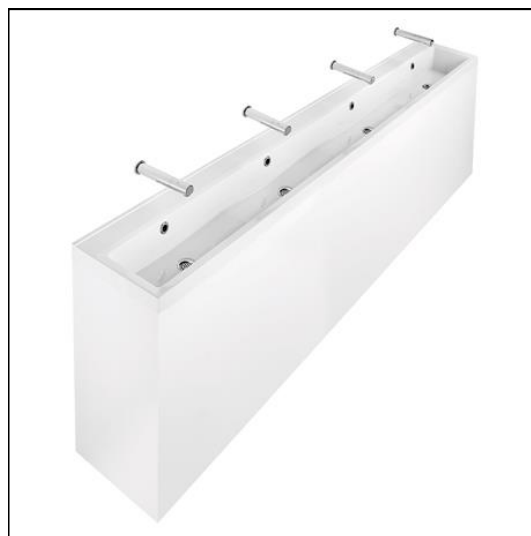
Broadway Washing Trough, 240cm

ILLUSTRATED

- S2105** Broadway washing trough 240cm long, undrilled for panel mounted taps or may be drilled at the pre-marked drilling points, complete with Chromium plated wastes
- A4849** Sensorflow 21 compact tubular panel mounted 230mm projection spout, anti splash or anti vandal laminar flow outlet, integral sensor, copper tube inlets, mains
- S8925** Trap 1½" plastic resealing bottle with 75mm seal, multi-purpose outlet

OPTIONS

- A4848** Sensorflow 21 compact tubular panel mounted 230mm projection spout, anti splash or anti vandal laminar flow outlet, integral sensor, copper tube inlets, battery
- A4850** Sensorflow 21 compact tubular panel mounted 230mm projection spout, anti splash or anti vandal laminar flow outlet, integral sensor, copper tube inlets, link
- A5900** TMV Thermostatic mixing valve 15mm



ILLUSTRATED PRODUCT DETAILS

Sizes

S2105 1:2400

Weights

S2105 50.00 KG

A4849 2.30 KG

S8925 0.33 KG

Materials

S2105 Solid Surface


A4849 Chrome Plated Brass

S8925 Plastic

Finishes

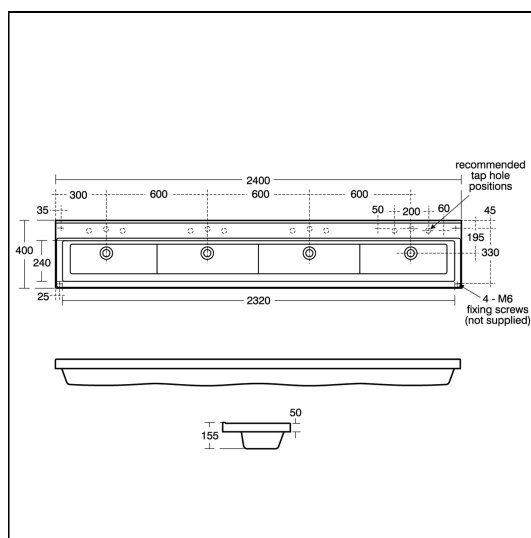
S2105  White (01)

A4849  Chrome (AA)

S8925  Neutral / No Finish (67)

Flow rates

A4849 3.7 Litres per minute @ 3 bar pressure



FINISH OPTIONS

 (AA) Chrome

 (GN) Ultra Steel

Special Notes

Washing trough fits to framing or cabinet using M6 screws (not supplied)