

# Broadway Washing Trough 180cm

## ILLUSTRATED

- S2099** Broadway washing trough 180cm long, undrilled for panel mounted taps or may be drilled at the pre-marked drilling points, complete with Chromium plated wastes
- A4849** Sensorflow 21 compact tubular panel mounted 230mm projection spout, anti splash or anti vandal laminar flow outlet, integral sensor, copper tube inlets, mains
- S8925** Trap 1½" plastic resealing bottle with 75mm seal, multi-purpose outlet

## OPTIONS

- A4850** Sensorflow 21 compact tubular panel mounted 230mm projection spout, anti splash or anti vandal laminar flow outlet, integral sensor, copper tube inlets, link
- A4848** Sensorflow 21 compact tubular panel mounted 230mm projection spout, anti splash or anti vandal laminar flow outlet, integral sensor, copper tube inlets, battery
- A5900** TMV Thermostatic mixing valve 15mm

## ILLUSTRATED PRODUCT DETAILS

### Sizes

**S2099** l:1800 x w:180 x d:40

### Weights

**S2099** 40.00 KG

**A4849** 2.30 KG


**S8925** 0.33 KG

### Materials


**A4849** Chrome Plated Brass

**S8925** Plastic

### Finishes

**S2099**  White (01)

**A4849**  Chrome (AA)

**S8925**  Neutral / No Finish (67)

### Flow rates

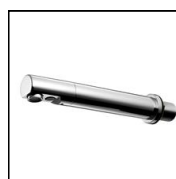
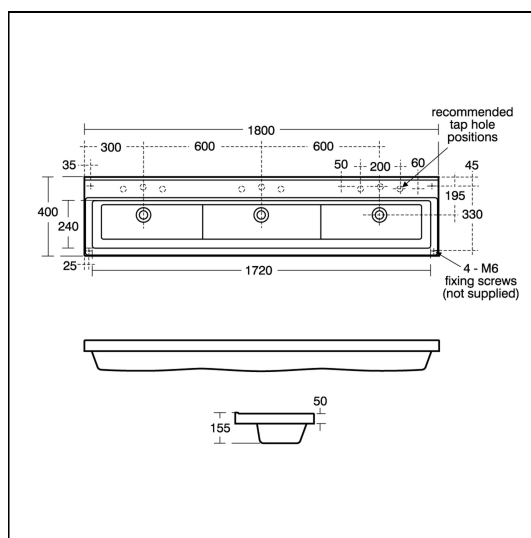
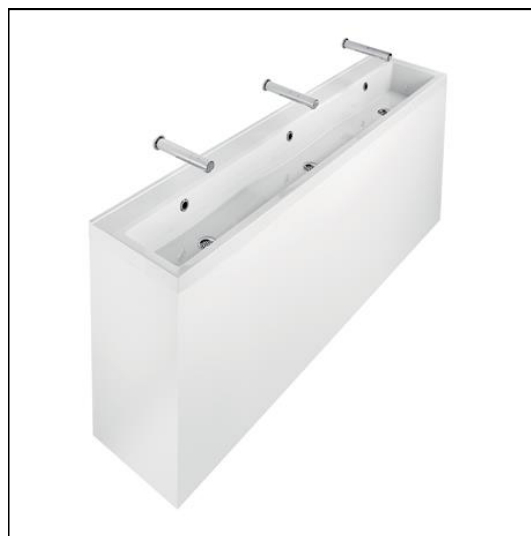
**A4849** 3.7 Litres per minute @ 3 bar pressure

## FINISH OPTIONS



### Special Notes

Washing trough fits to framing or cabinet using M6 screws (not supplied)



## FEATURES

