

# Broadway Washing Trough, 120cm


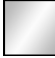

## ILLUSTRATED

- S2098** Broadway washing trough 120cm long, undrilled for panel mounted taps or may be drilled at the pre-marked drilling points, complete with Chromium plated wastes
- A4849** Sensorflow 21 compact tubular panel mounted 230mm projection spout, anti splash or anti vandal laminar flow outlet, integral sensor, copper tube inlets, mains
- S8925** Trap 1½" plastic resealing bottle with 75mm seal, multi-purpose outlet

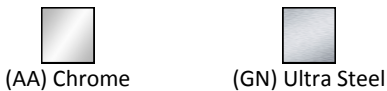
## OPTIONS

- A4850** Sensorflow 21 compact tubular panel mounted 230mm projection spout, anti splash or anti vandal laminar flow outlet, integral sensor, copper tube inlets, link
- S8920** Trap 1½" plastic resealing bottle, 75mm seal, multi-purpose outlet
- A5900** TMV Thermostatic mixing valve 15mm

## ILLUSTRATED PRODUCT DETAILS

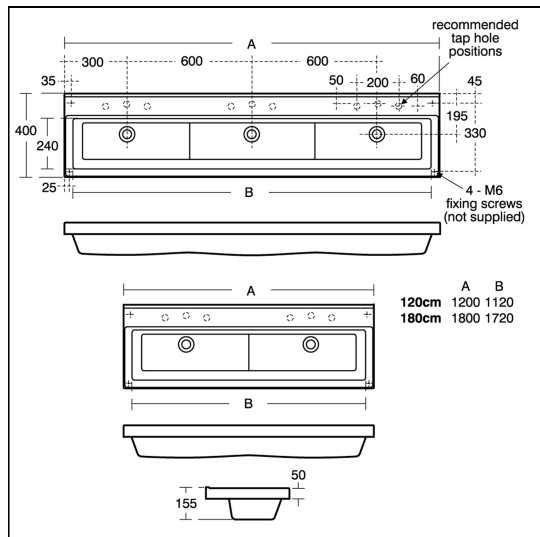
<b>Sizes</b>	<b>Finishes</b>
<b>S2098</b> l:1200 x w:120 x d:40	<b>S2098</b>  White (01)
<b>Weights</b>	<b>A4849</b>  Chrome (AA)
<b>S2098</b> 27.00 KG	<b>S8925</b>  Neutral / No Finish (67)
<b>A4849</b> 2.30 KG	<b>Flow rates</b>
<b>S8925</b> 0.33 KG	<b>A4849</b> 3.7 Litres per minute @ 3 bar pressure
<b>Materials</b>	
<b>S2098</b> Stainless Steel	
<b>A4849</b> Chrome Plated Brass	
<b>S8925</b> Plastic	

## FINISH OPTIONS



### Special Notes

Washing trough fits to framing or cabinet using M6 screws (not supplied)



## ACCREDITATIONS

**A4849(AA)**

**3.70** Litres Per Minute

**A4850(AA)**

**3.70** Litres Per Minute



## FEATURES

