

Sandringham 21 Water Saving Steel bath 170x70cm 2 Tapholes With Handgrips & Anti-slip* (130 Litres)

ILLUSTRATED

- S1839** Sandringham 21 water saving bath 170 x 70cm standard gauge steel, with chrome plated grips 2 tapholes, anti-slip* (only 130 Litres)
- B9870** Sandringham 21 bath filler 2 hole
- S8970** Trap 1½" plastic P with 75mm seal, multi-purpose outlet suitable for plastic and BS copper pipe
- S8840** 1 1/2" Combination bath waste & trap with overflow and domed clicker

OPTIONS

- B9866** Sandringham 21 bath pillar taps
- B9871** Sandringham 21 bath shower 2 hole mixer with shower set
- B9876** Sandringham 21 bath pillar taps, crosshead handles
- B9877** Sandringham 21 bath filler 2 hole, crosshead handles
- B9878** Sandringham 21 bath shower mixer 2 hole with shower set, crosshead handles
- B9882** Sandringham 21 bath pillar taps, lever handles
- B9883** Sandringham 21 bath filler 2 hole, lever handles
- B9884** Sandringham 21 bath shower mixer 2 hole with shower set, lever handles
- S0915** Bath flat front panel
- S0916** Bath flat end panel
- S9365** Bath panel plastic corner edge strip
- S8830** Waste 1½" bath chain and overflow, plastic plug
- A5901** TMV Thermostatic mixing valve 22mm

ILLUSTRATED PRODUCT DETAILS





Weights

- S1839** 25.51 KG
- B9870** 2.10 KG
- S8970** 1.00 KG
- S8840** 0.31 KG

Materials

- S1839** Porcelain Enamelled Steel
- B9870** Chrome Plated Brass
- S8970** Plastic
- S8840** Plastic

Finishes

- S1839**  White (01)
- B9870**  Chrome (AA)
- S8970**  Neutral / No Finish (67)
- S8840**  Chrome (AA)

Capacity

- S1839** 130 litres (to overflow)

Flow rates

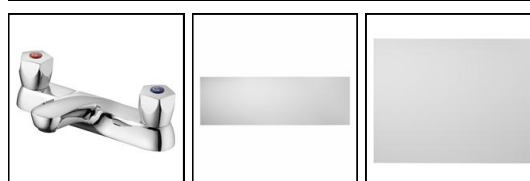
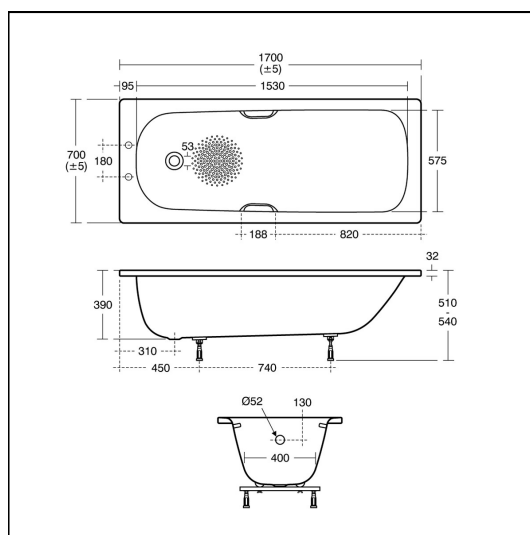
- B9870** 16.5 Litres per minute @ 3 bar pressure

Standards

Manufactured to BS 1344-3:1998
Standard gauge 2mm porcelain enamelled steel

Special Notes

*Anti-slip reduces the likelihood of slipping but it does not prevent all



ACCREDITATIONS



FEATURES

Sandringham 21 Water Saving Steel bath 170x70cm 2 Tapholes With Handgrips & Anti-slip* (130 Litres)

slipping. Care to be taken when cleaning as aggressive products may reduce the effectiveness of the slip resistant area. Consideration should be given to safe hot water delivery and the use of an appropriate temperature reduction device see A5901AA or Part G for guidance.