

Nisa Lowline Steel Bath 170cm No Taphole No Handgrips - HTM64

ILLUSTRATED

- S1699** Nisa Lowline 170 x 70cm steel bath, anti slip, no tap holes
- A4135** Contour 21 bath filler thermostatic wall mounted single lever sequential
- S8970** Trap 1½" plastic P with 75mm seal, multi-purpose outlet suitable for plastic and BS copper pipe
- S8830** Waste 1½" bath chain and overflow, plastic plug

ILLUSTRATED PRODUCT DETAILS





Weights

- S1699** 48.35 KG
- A4135** 3.00 KG
- S8970** 1.00 KG
- S8830** 1.78 KG

Materials

- S1699** Porcelain Enamelled Steel
- A4135** Chrome Plated Brass
- S8970** Plastic
- S8830** Mixed Material

Finishes

- S1699**  White (01)
- A4135**  Chrome (AA)
- S8970**  Neutral / No Finish (67)
- S8830**  Chrome (AA)

Capacity

- S1699** 147 litres (to overflow)

Flow rates

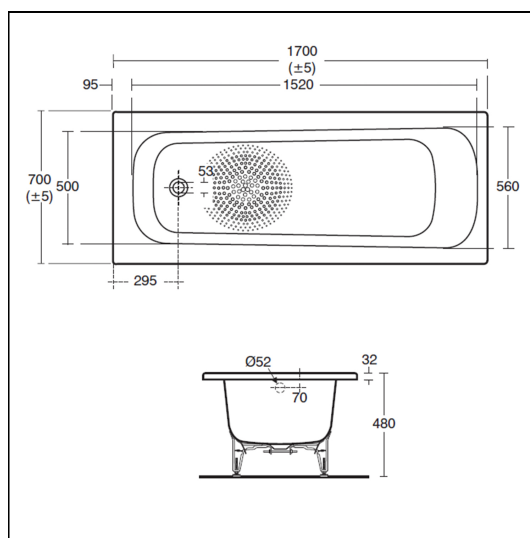
- A4135** 33 Litres per minute @ 3 bar pressure

Standards

BS 1390: 1990. EN 14516

Special Notes

*Anti slip is a resistant finish that reduces the chances of slipping, it does not prevent all slipping. Not suitable in areas involving the use of special chemicals. Framework is required at installation to support rim and secure panel.



ACCREDITATIONS

S1699(01)



A4135(AA)



FEATURES

