

Care Plus Gas Cell Washbasin Bracket, Vertical Adjustment

ILLUSTRATED

- S0652** Care Plus washbasin mounting bracket, gas cell counter balanced with lever lock, vertical adjustment
- S2168** Contour 21 accessible washbasin, 60 x 55cm, 1 tap hole with overflow
- S8733** Waste 1¼" brass anti theft swivel plug waste, 80mm slotted tail
- S0649** Care Plus flexible 70cm feed and 70cm waste system for vertical adjustment only
- A6698** Contour 21+ 1 hole thermostatic basin mixer, single sequential lever with flexible tails

ILLUSTRATED PRODUCT DETAILS

Sizes

S2168 w:60 x d:55

Weights

S0652 23.82 KG

S2168 17.59 KG

S8733 0.35 KG

S0649 1.60 KG

A6698 2.10 KG

Materials

S0652 Mixed Material


S2168 Vitreous China

S8733 Chrome Plated Metal

S0649 Mixed Material


A6698 Chrome Plated Brass

Finishes

S0652  Neutral / No Finish (67)

S2168  White (01)

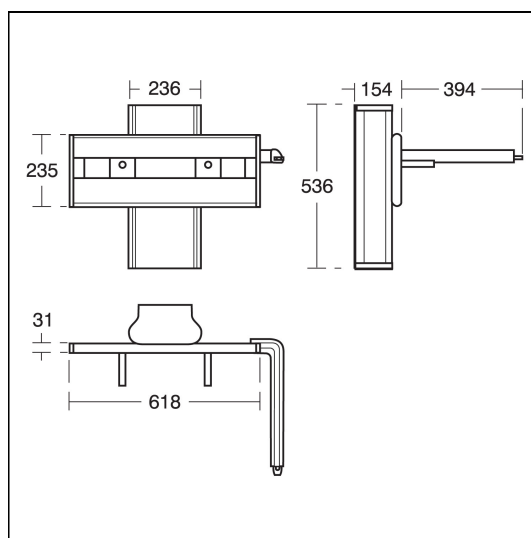
S8733  Chrome (AA)

S0649  Neutral / No Finish (67)

A6698  Chrome (AA)

Flow rates

A6698 3.9 Litres per minute @ 3 bar pressure



FEATURES

