

Care Plus Electric Washbasin Bracket, Vertical Adjustment

ILLUSTRATED

- S0651** Care Plus washbasin mounting bracket, electrically operated by lever, vertical adjustment
- E5499** Concept Freedom 60cm accessible washbasin, one taphole
- B9915** Concept Blue washbasin mixer 1 hole with pop-up waste
- S0649** Care Plus flexible 70cm feed and 70cm waste system for vertical adjustment only

ILLUSTRATED PRODUCT DETAILS

Sizes

E5499 w:600 x d:555





Weights

- S0651** 23.82 KG
- E5499** 14.00 KG
- B9915** 1.89 KG
- S0649** 1.60 KG

Materials

- S0651** Mixed Material
- E5499** Vitreous China
- B9915** Chrome Plated Brass
- S0649** Mixed Material

Finishes

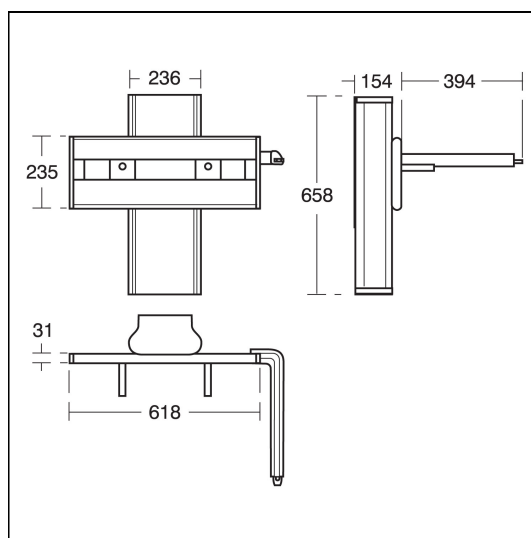
- S0651**  Neutral / No Finish (67)
- E5499**  White (01)
- B9915**  Chrome (AA)
- S0649**  Neutral / No Finish (67)

Capacity

E5499 4 litres

Flow rates

B9915 5 Litres per minute @ 3 bar pressure



FEATURES

