

## Care Plus Manual Washbasin Bracket, Vertical Adjustment

### ILLUSTRATED

- S0641** Care Plus washbasin mounting bracket, manually operated, vertical adjustment
- S2252** Portman 21 washbasin 50cm, 1 taphole, no overflow or chainstay hole
- S0649** Care Plus flexible 70cm feed and 70cm waste system for vertical adjustment only

### OPTIONS

- A6698** Contour 21+ 1 hole thermostatic basin mixer, single sequential lever with flexible tails

### ILLUSTRATED PRODUCT DETAILS

#### Sizes

**S2252** w:50 x d:42

#### Weights

**S0641** 23.82 KG

**S2252** 12.73 KG

**S0649** 1.60 KG

#### Materials

**S0641** Mixed Material

**S2252** Vitreous China

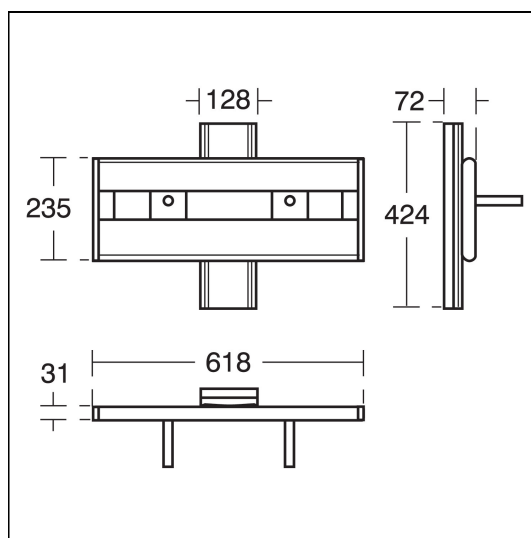
**S0649** Mixed Material

#### Finishes

**S0641**  Neutral / No Finish (67)

**S2252**  White (01)

**S0649**  Neutral / No Finish (67)



### FEATURES

