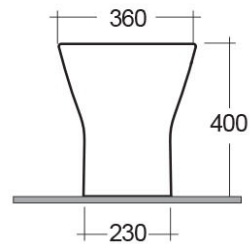
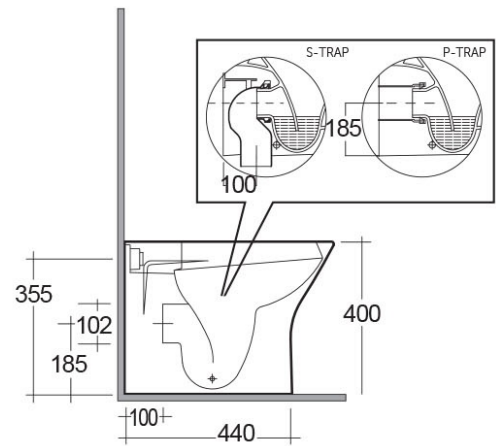
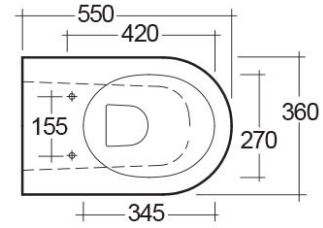


RAK-RESORT

Back to Wall | Water Closet

RAK
CERAMICS



Technical specifications

Dimensions:	550 x 360 mm
Weight:	26 Kg
Color:	Alpine White
Trap type:	P Trap & S Trap
Trapway type:	Concealed
Seat cover options:	Urea
Bowl shape:	Oval
Soft close:	yes
Quick remove seat cover:	yes
Dual flush:	yes
Suites:	RAK-RESORT

Code	Name
RST19AWHA	RESORT WATER CLOSET BACK TO WALL P S-TRAP 55CM

Dimensions: All measurements are in millimeters and are subject to normal manufacturing variations.
Note: Due to a continuing development programme to improve design and performance, the manufacturer reserves all rights to vary specifications without prior information.
Please note accessories are for photographic use only.