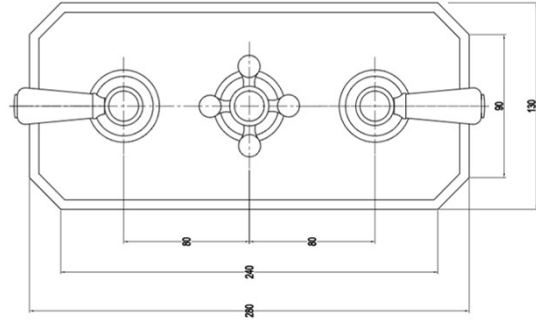


WASHINGTON TAPS
3 Outlet | Thermostatic Valve

RAK
CERAMICS



Dimensions: 1300w x 90d x 280hmm

Colour: CHROME

Code: RAKWTN3204

Pressures: 0.5 BAR – 6.0 BAR

Warranty: 15 YEARS

Weight: 4.80 KG

Dimensions: All Dimensions in mm tolerance $\pm 5\%$ for below 200mm and $\pm 3\%$ for above 200mm.
Note: Due to a continuing development programme to improve design and performance the manufacturer reserves all rights to vary specifications without prior information.
Please note accessories are for photographic use only.