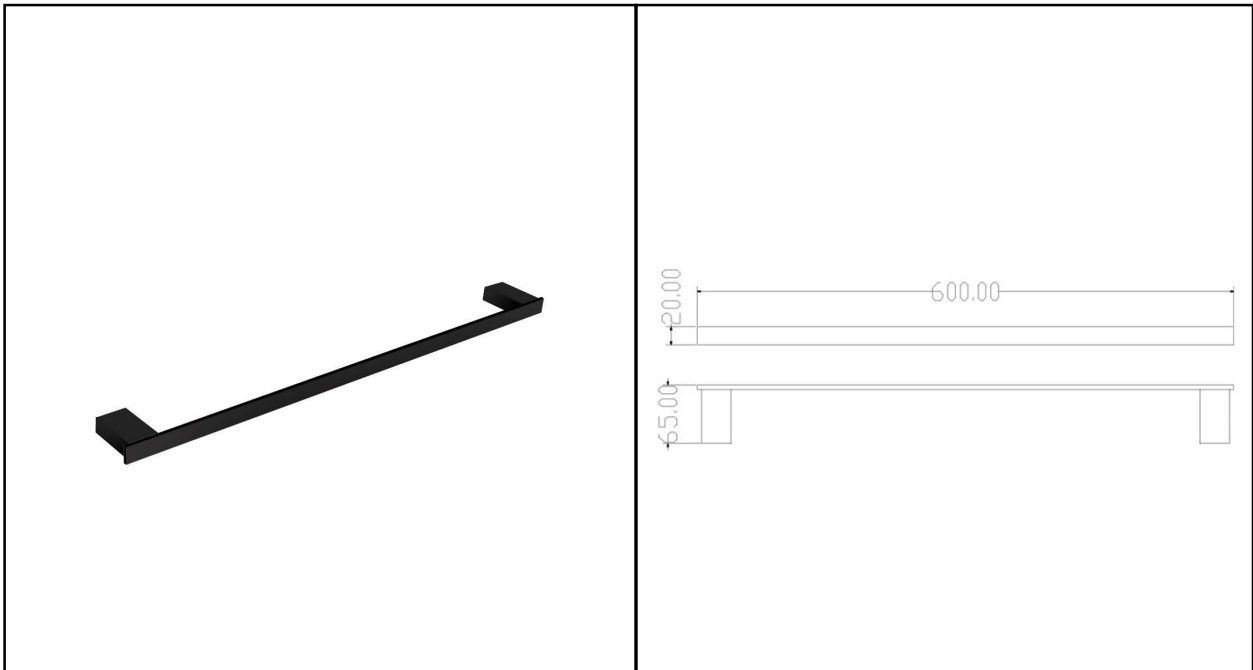


**RAK MOON ACCESSORIES**  
**Towel Rail**

**RAK**  
CERAMICS



---

**Dimensions:** 600w x 20d x 65h mm

---

**Colour:** BLACK

---

**Code:** RAKMOO9910B

---

**Warranty:** 2 YEARS

---

**Weight;** 1.50 KG

---

Dimensions: All Dimensions in mm tolerance  $\pm 5\%$  for below 200mm and  $\pm 3\%$  for above 200mm.  
Note: Due to a continuing development programme to improve design and performance the manufacturer reserves all rights to vary specifications without prior information.  
Please note accessories are for photographic use only.