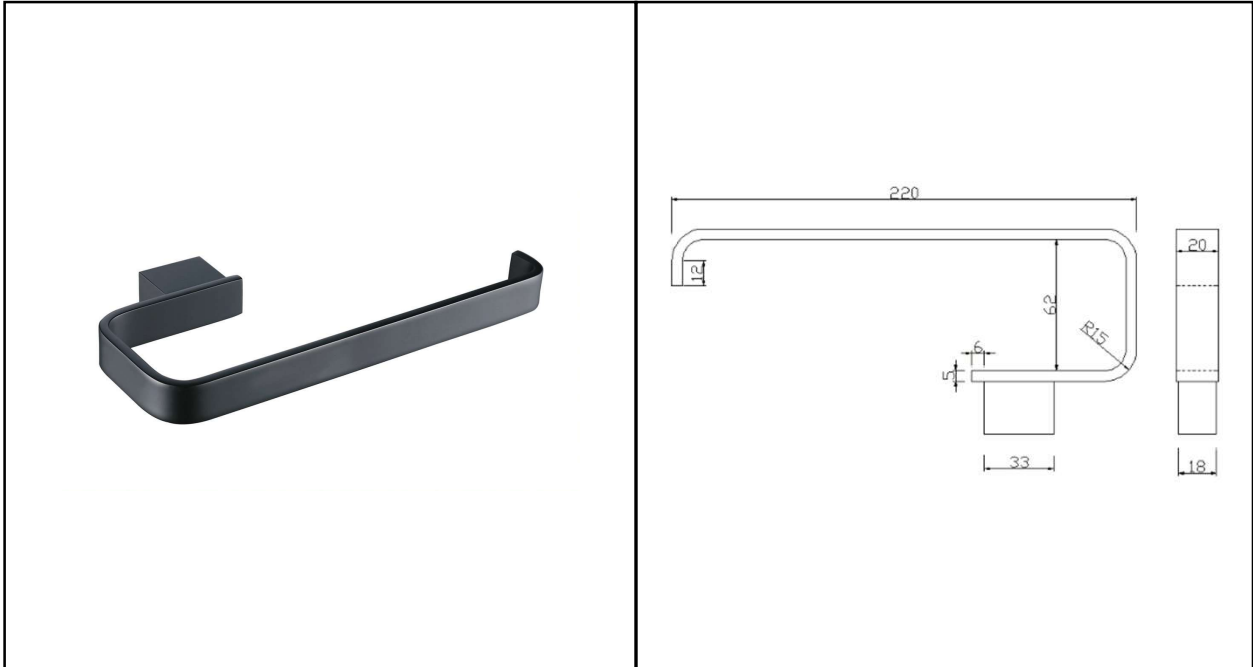


RAK MOON ACCESSORIES
Towel Ring

RAK
CERAMICS



Dimensions: 200w x 20d x 62h mm

Colour: BLACK

Code: RAKMOO9902B

Warranty: 2 YEARS

Weight; 0.45 KG

Dimensions: All Dimensions in mm tolerance $\pm 5\%$ for below 200mm and $\pm 3\%$ for above 200mm.
Note: Due to a continuing development programme to improve design and performance the manufacturer reserves all rights to vary specifications without prior information.
Please note accessories are for photographic use only.