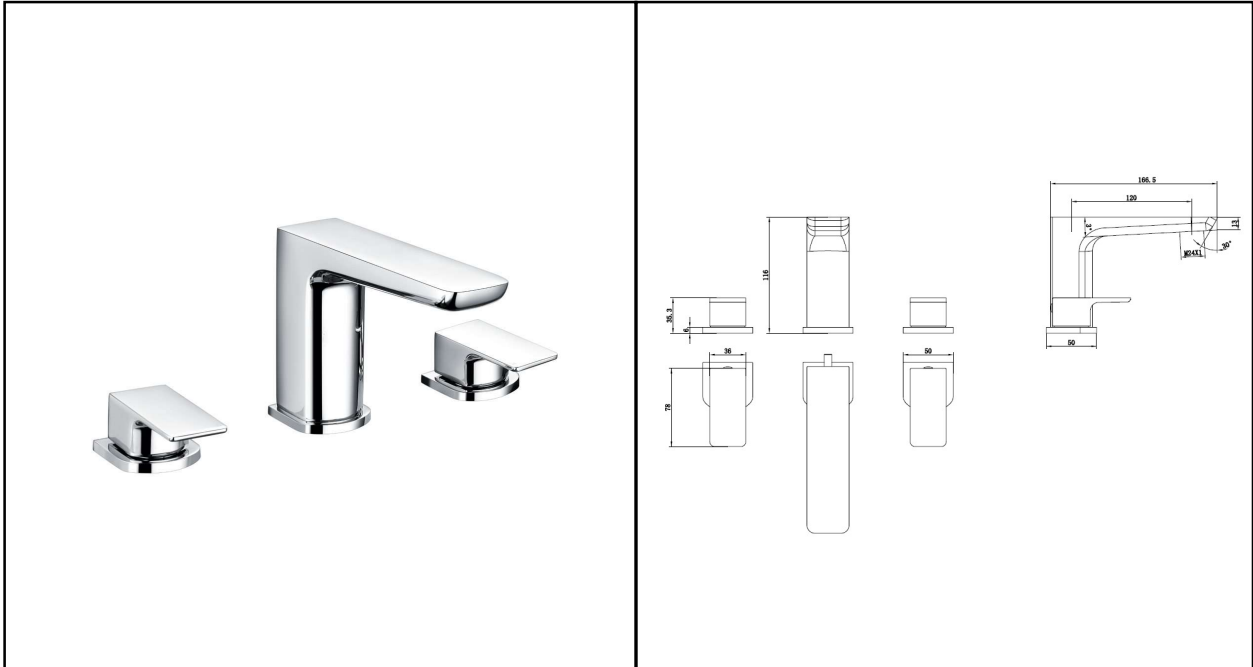


**RAK MOON TAPS**  
**Bath Filler | 3TH**

**RAK**  
CERAMICS



---

**Dimensions:** 50w x 166.5d x 116h mm

---

**Colour:** CHROME

---

**Code:** RAKMOO3011

---

**Pressures:** 0.2 - 0.5 Bar Pressure

---

**Warranty:** 15 YEARS

---

**Weight:** 2.50 KG

---

Dimensions: All Dimensions in mm tolerance  $\pm 5\%$  for below 200mm and  $\pm 3\%$  for above 200mm.  
Note: Due to a continuing development programme to improve design and performance the manufacturer reserves all rights to vary specifications without prior information.  
Please note accessories are for photographic use only.