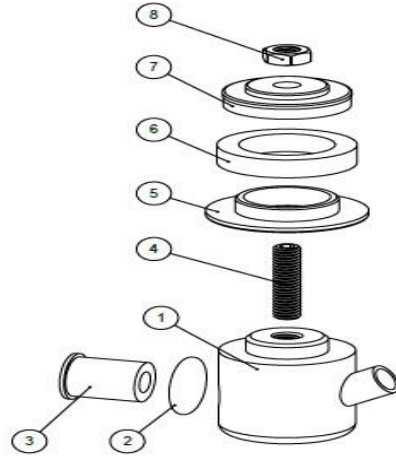


# RAK Urinal Round Exposed Spreader

**RAK**  
CERAMICS



---

**Dimensions:**

---

**Colour:** Chrome

---

**Code:** RAKC15TCP

---

**Warranty:** 2 YEARS

---

**Weight:** 0.16 KG

---

Dimensions: All Dimensions in mm tolerance  $\pm 5\%$  for below 200mm and  $\pm 3\%$  for above 200mm.

Note: Due to a continuing development programme to improve design and performance the manufacturer reserves all rights to vary specifications without prior information.

Please note accessories are for photographic use only.