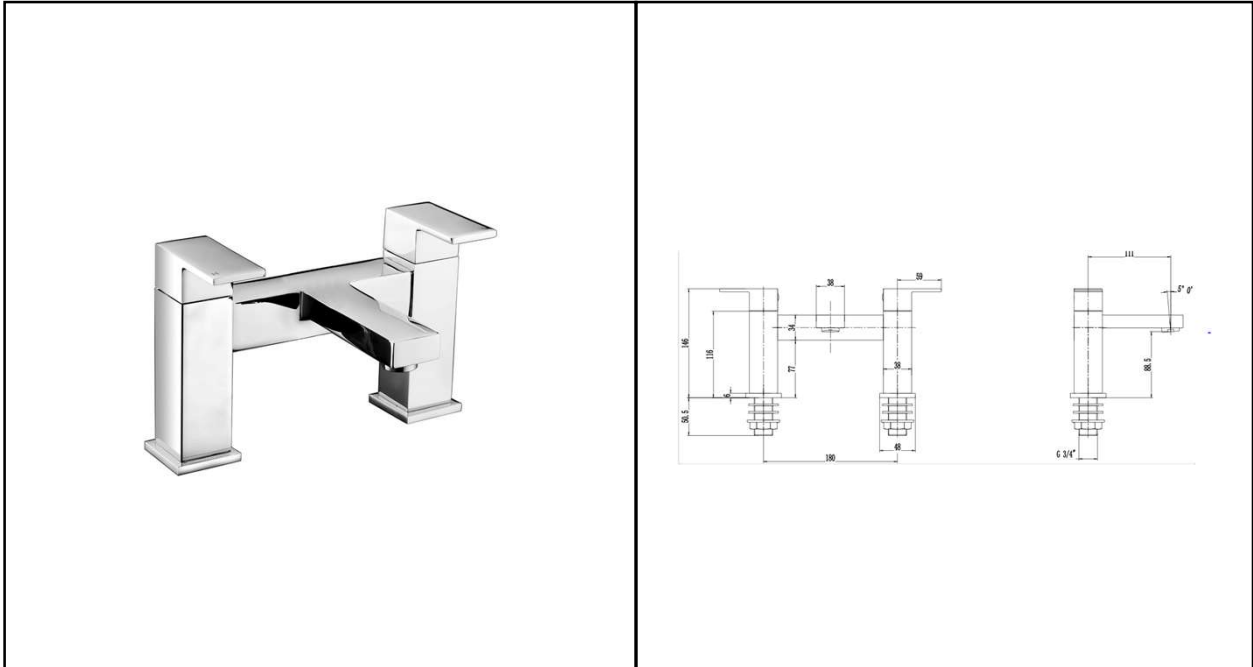


RAK CUBIS TAPS
Bath Filler | 2TH

RAK
CERAMICS



Dimensions: 180w x 59d x 146h mm

Colour: CHROME

Code: RAKCUB3004

Pressure: 0.2 - 0.6 Bar Pressure

Warranty: 15 YEARS

Weight: 3.00 KG



Dimensions: All Dimensions in mm tolerance $\pm 5\%$ for below 200mm and $\pm 3\%$ for above 200mm.
Note: Due to a continuing development programme to improve design and performance the manufacturer reserves all rights to vary specifications without prior information.
Please note accessories are for photographic use only.