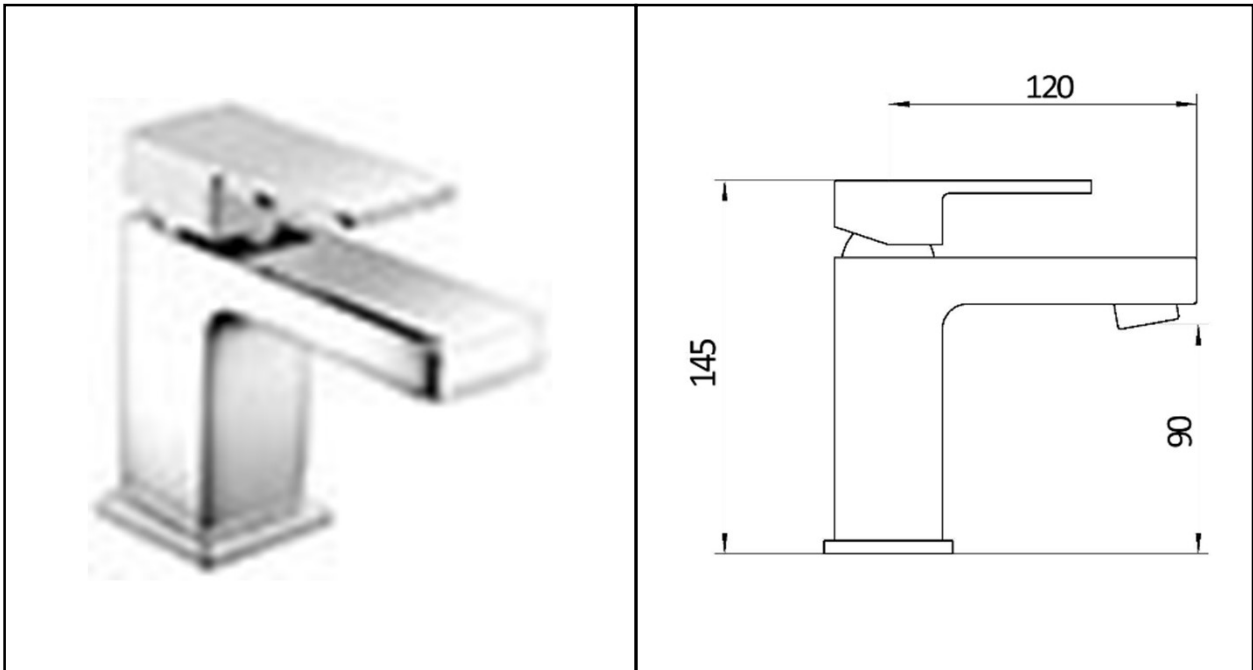


RAK CUBIS TAPS
Basin Mixer | Standard | Inc Waste



Dimensions:	90w x 120d x 145h mm
Colour:	CHROME
Code:	RAKCUB3001A
Pressure:	0.2 BAR – 6.0 BAR
Warranty:	15 YEARS
Weight:	1.70 KG



Dimensions: All Dimensions in mm tolerance $\pm 5\%$ for below 200mm and $\pm 3\%$ for above 200mm.
Note: Due to a continuing development programme to improve design and performance the manufacturer reserves all rights to vary specifications without prior information.
Please note accessories are for photographic use only.