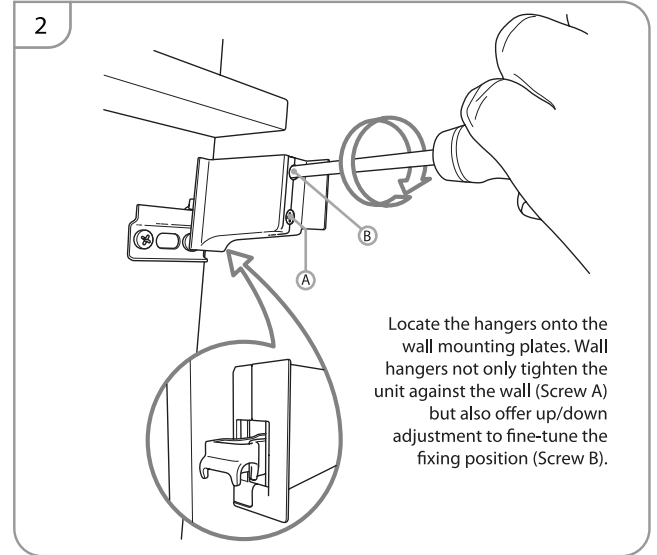
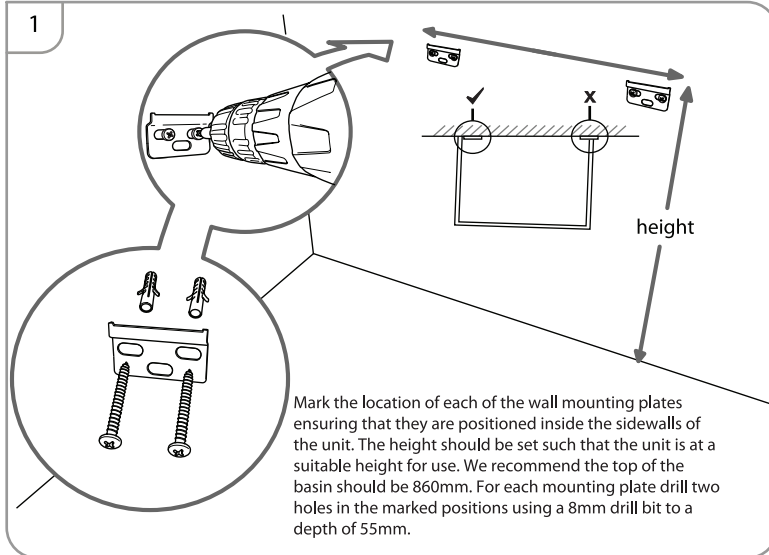


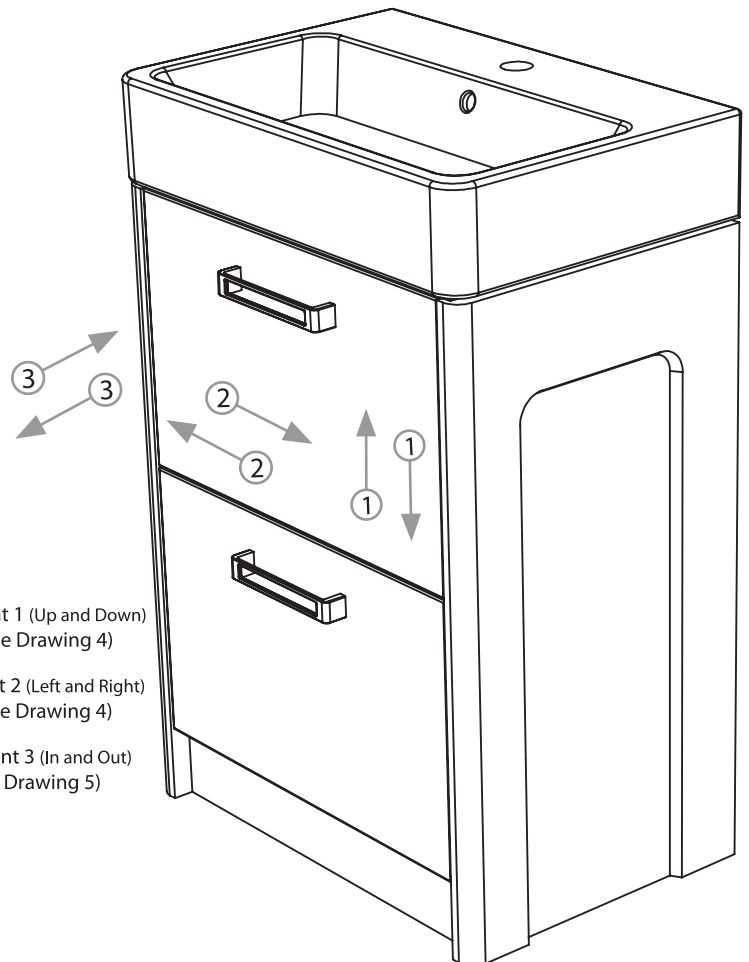
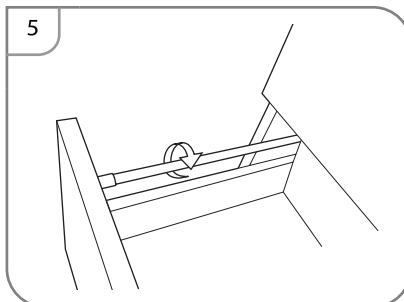
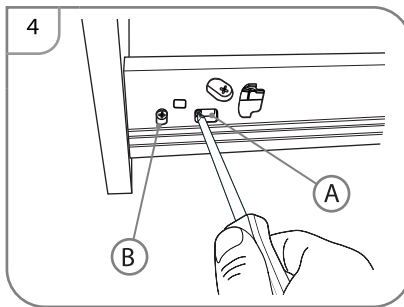
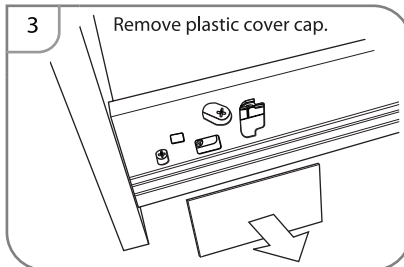
### Before you start

It is recommended that the unit and basin are secured to a suitably reinforced wall to ensure stability. The wall plugs supplied are only suitable for solid stone / brick walls. For plasterboard walls use specialist wall plugs along with supplementary wall strengthening as units can be very heavy. Seek advice from a specialist about the suitability of fixings to be used. Wear suitable eye protection when drilling. Take care when using power tools near water - the use of a residual current device (RCD) is recommended. Beware of hidden pipes or cables. Take care when drilling tiled surfaces as the drill might slip. Use a piece of masking tape to prevent the drill from wandering.



### Fascia Adjustment

Fascias may require adjustment for correct alignment. If adjustment is required follow instructions below.



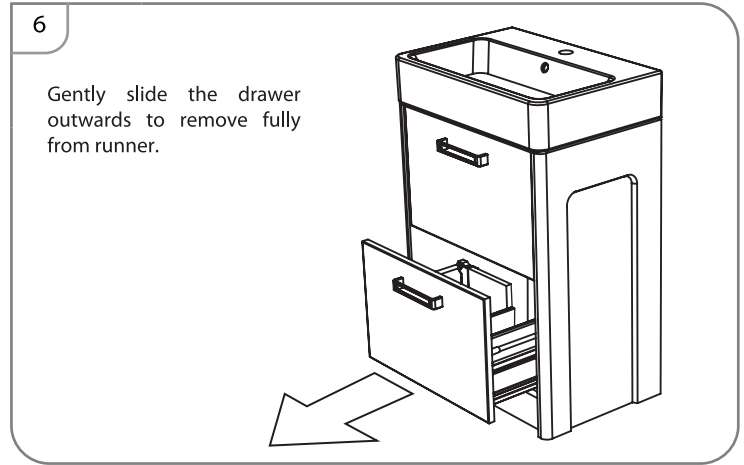
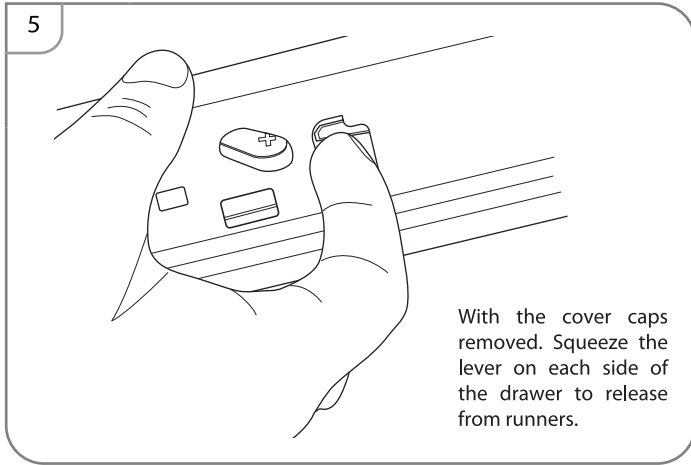
To make adjustment 1 (Up and Down) turn screw A (see Drawing 4)

To make adjustment 2 (Left and Right) turn screw B (see Drawing 4)

To make adjustment 3 (In and Out) adjust rail (see Drawing 5)

### Removing the drawers

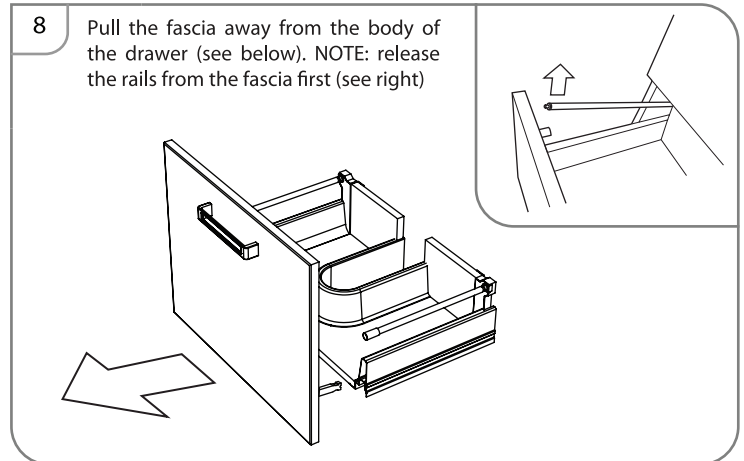
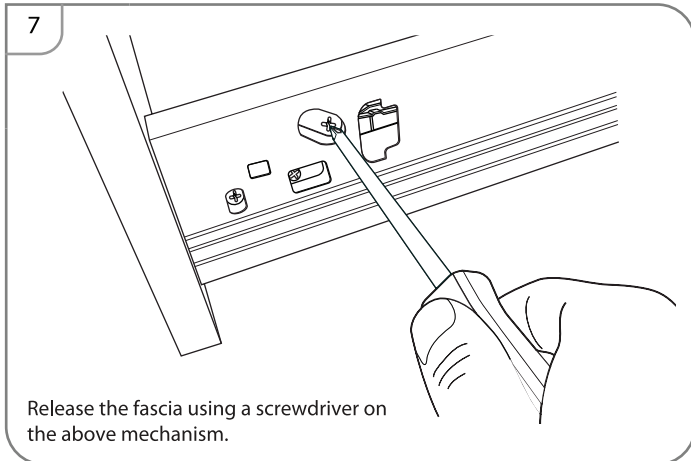
To aid installation the drawers can be removed as below.



**NOTE -** When replacing the drawers back onto the runners ensure they have been 'clicked' back into position.

### Removing the fascias

If faulty or damaged, the fascias can be removed and replaced. To remove the Fascias please follow the instructions below..



### Fitting handle

The handle can simply be screwed into place using the screws supplied

### Fitting ceramic basin

Due to the complex nature of manufacturing ceramic there may be some tolerance in the basin fit to the unit. Because of this, all units are supplied with foam pads. These should be attached to the underside of the basin if required to ensure the basin sits flat and level on the base unit. Once this is complete and the basin is plumbed the basin should be sealed in place using silicone sealant (not supplied).

### Furniture Aftercare Instructions

As with all wooden furniture, this product should be treated with care.

#### We recommend...

- Wipe away any water splashes or condensation after use. Excessive exposure to water will deteriorate the furniture.
- All bathrooms should be well ventilated with a suitable extractor fan.
- Clean with a soft damp cloth only.
- Use a wax free polish if one must be used.
- For removal of lime scale deposits use a suitable proprietary cleaner. If necessary test on an inconspicuous area first

#### Please DO NOT...

- Do not scrub or scour
- Do not use abrasive cleaning agents

**Replacement components -** Should you require any replacement components for this product please contact Tavistock using the contact details below.