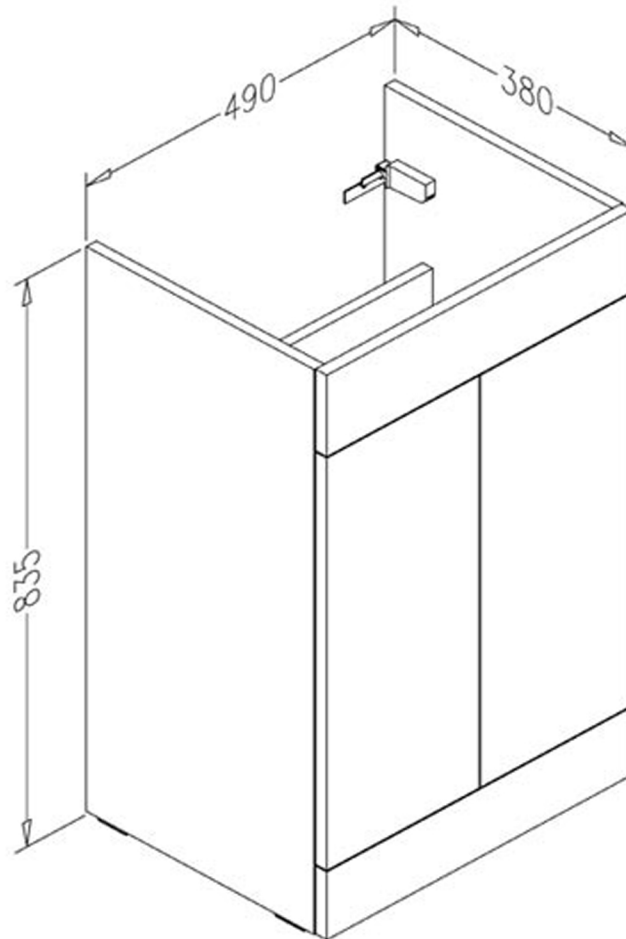




Technical Drawing

Product code: PFS502W + P500BS - PFS502GR + P500BS - PFS502BK + P500BS

Product range: Pace 500 floor standing unit with two doors



Basin:
W: 494mm
P: 516mm
H: 35mm

www.jtpuk.co.uk

technical@jtpuk.co.uk

01895 442211