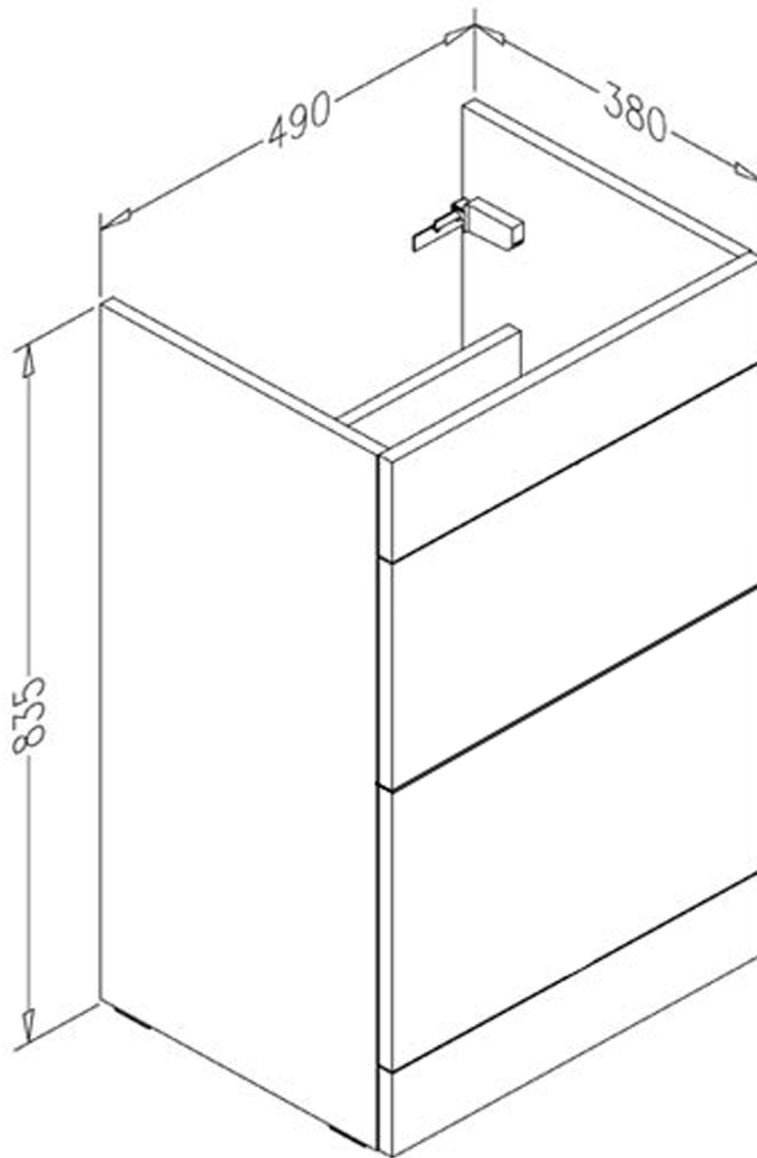




Technical Drawing

Product code: PFS501W+P500BS, PFS501GR+P500BS, PFS501BK+P500BS

Product range: Pace



www.jtpuk.co.uk

technical@jtpuk.co.uk

01895 442211