

TRADITIONAL CLOSE COUPLED WC

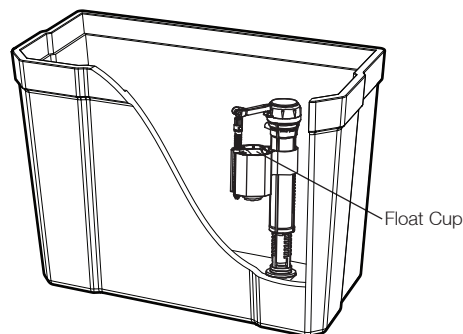
Installation & care instructions

Please retain for future reference

IMPORTANT

Flush out all impurities in the cistern prior to installation.

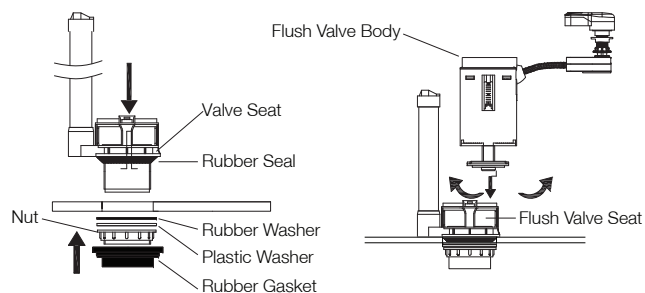
FILL VALVE - PRE ASSEMBLED IN CISTERN



The fill valve is supplied assembled in the cistern at a height suitable for the cistern tank. Please ensure that all connections are fully tightened before progressing.

Before assembling cistern to pan, wrap the inlet connector with PTFE tape. Ensure that the float cup has room to move freely.

FLUSH VALVE - PRE ASSEMBLED IN CISTERN



Ensure that the Flush Valve is assembled and fully tightened as shown.

The Flush Valve Body can be easily removed if necessary. Rotate clockwise to remove. To replace align slot of body with slot in valve seat and rotate anti-clockwise until you hear a click.

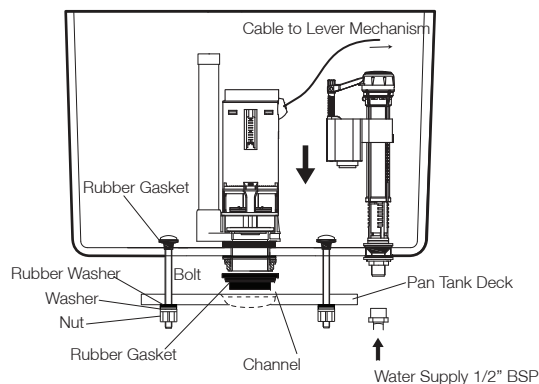
The valve is set correctly at the factory. However there are levers on the left side for full flush and on the right hand side for reduced flush operation which can be adjusted if necessary.

INLET VALVE SPECIFICATIONS

Water Temperature: 2°C - 45°C

Water Pressure: 0.2 Bar to 8 Bar

SECURE CISTERN TANK ONTO PAN

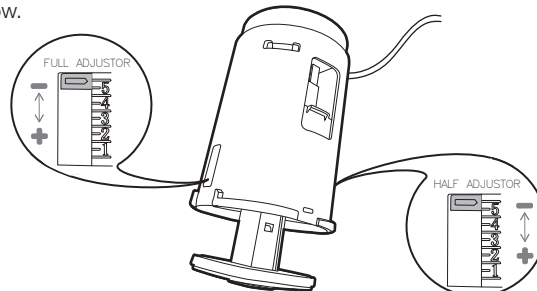


Mount the cistern tank onto the toilet pan. Ensure that the rubber gasket is seated firmly onto the toilet pan flush channel. Connect the cistern tank to the toilet pan using the fixing bolts, nuts & washers provided as shown.

Once assembled the toilet can be positioned and installed in its permanent location. Be sure to assemble the toilet seat to the pan before permanent installation. Before securing the pan to the floor, drill the holes in the wall for securing the cistern tank. (Fixings not supplied). Secure the pan to the floor using the floor fixings supplied with the pan. After securing the pan to the floor attach the tank to the wall via the holes inside the cistern tank using fixings suitable for the installation in hand. (not supplied) Use a suitable waste connector for the installation in hand.

FLUSH VALVE ADJUSTMENT

The flush valve is factory set but if adjustment is required see diagram below.



FLUSH VALVE SPECIFICATIONS

Full Flush: 6L

Reduced Flush: 4L

FILL VALVE ADJUSTMENT

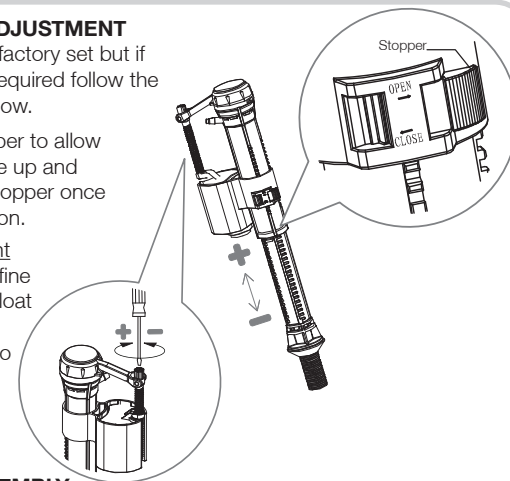
The fill valve is factory set but if adjustment is required follow the instructions below.

Open the stopper to allow the float to slide up and down. Close stopper once float is in position.

Fine Adjustment

Turn screw for fine adjustment of float height.

Anticlockwise to lower float.
Clockwise to heighten float.



HANDLE ASSEMBLY

Assemble the cistern handle through the round hole on the corner of the cistern tank as shown.

Once the handle is secured, fasten the lever mechanism housing on the end of the flush valve cable to the handle's shaft. Ensure that the splines on the shaft align with the slots in the mechanism housing. Once located, with the metal grip bracket in place, secure the lever shaft to the housing with the housing nut.

Check that the lever can move both up and down. If not undo and re-assemble, checking that the valve operates in both directions.

Once fully assembled turn on the water supply and check all connections for leaks, re-tightening any connections as necessary. Ensure that the water fills to the level indicated inside the ceramic cistern. Once satisfied place the cistern lid in place.

Up - Reduced Flush
Down - Full Flush

