

No.	Description	Product Code	Fixings included	Gross Weight	Net Weight
1	Cistern inc. Flush Fitting & Lid	C700S	Yes	10.02kg	9.52kg
2	Toilet Seat	TSP1129	Yes	2.5kg	2.1kg
3	Close coupled open back-to-wall pan	P700S	Yes	25.68kg (inc.Seat)	24.18kg

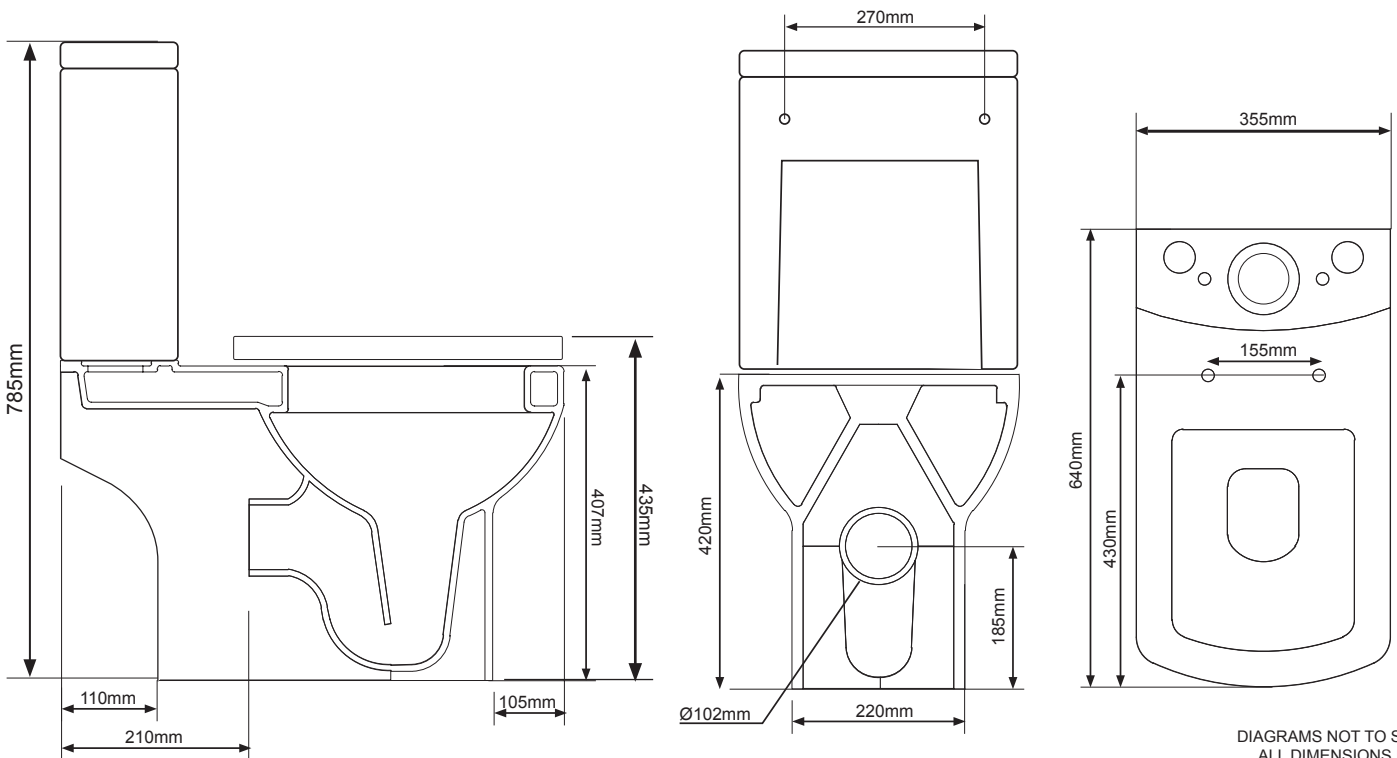
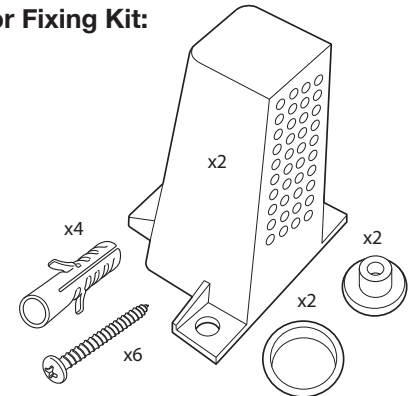


**Cistern Settings:**

Full Flush Volume: 6L

Reduced Flush Volume: 4L

**Floor Fixing Kit:**



DIAGRAMS NOT TO SCALE  
ALL DIMENSIONS IN MM  
TOLERANCE OF ± 5MM

**FAQ's**

What side is the inlet located? **Right hand side**

Are there any other compatible seats? **No**

Can this pan be used with a side connection outlet pipe? **Yes**

The cistern lid won't shut/the cistern isn't working correctly. **Ensure the inlet and flush valves are set to the correct heights. See "Cistern Settings" above.**

No.	Description	Product Code	Fixings included	Gross Weight	Net Weight
1	Cistern inc. Flush Fitting & Lid	C700S	Yes	10.02kg	9.52kg
2	Toilet Seat	TSP1129	Yes	2.5kg	2.1kg
3	Close coupled open back-to-wall pan	PF700S	Yes	27.64kg (inc.Seat)	26.38kg

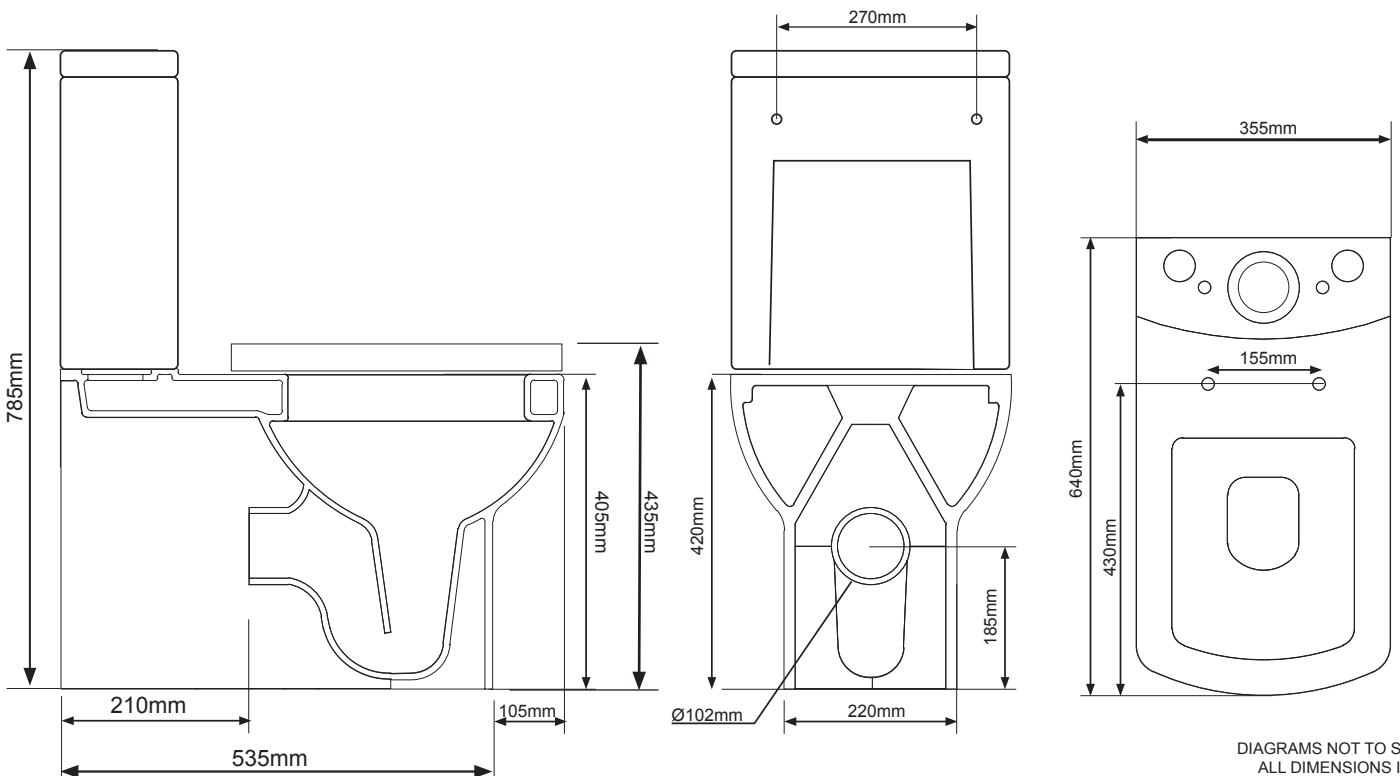
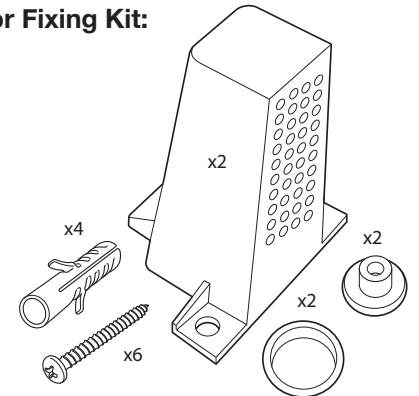


**Cistern Settings:**

Full Flush Volume: 6L

Reduced Flush Volume: 4L

**Floor Fixing Kit:**



DIAGRAMS NOT TO SCALE  
ALL DIMENSIONS IN MM  
TOLERANCE OF ± 5MM

**FAQ's**

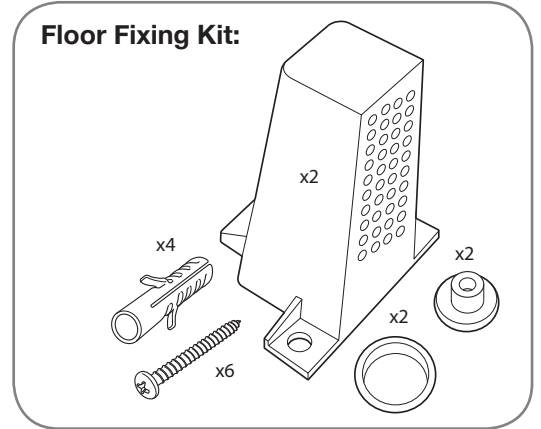
What side is the inlet located? **Right hand side**

Are there any other compatible seats? **No**

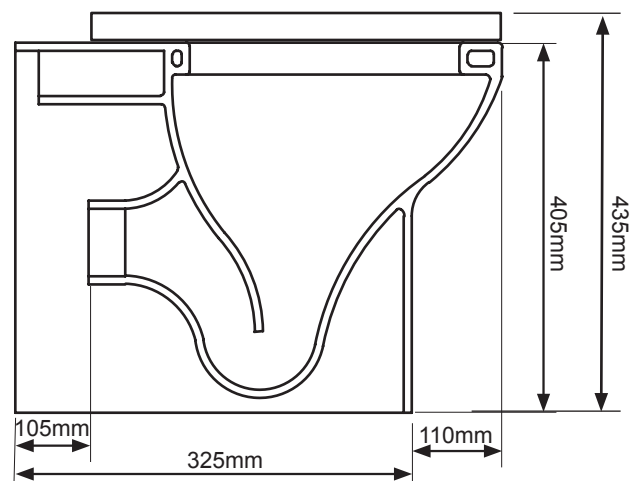
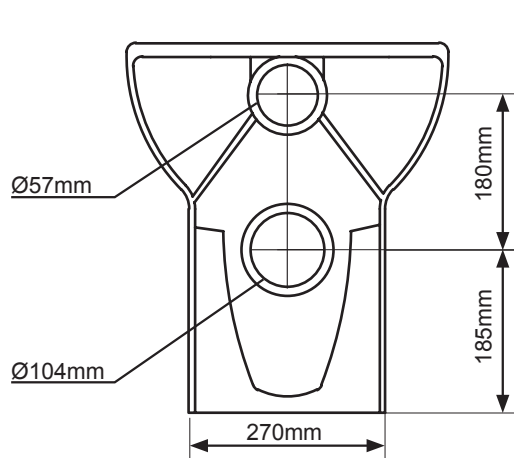
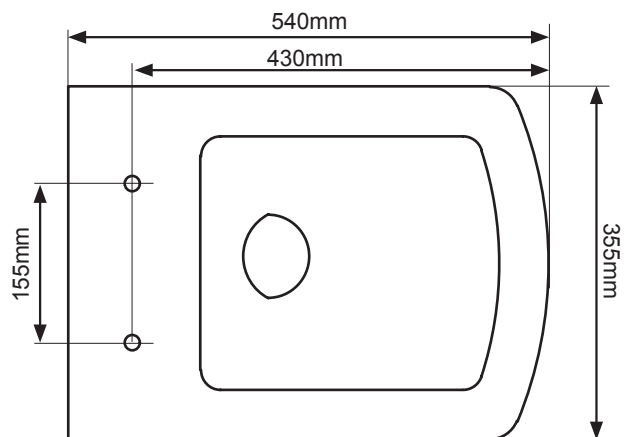
Can this pan be used with a side connection outlet pipe? **No**

The cistern lid won't shut/the cistern isn't working correctly. **Ensure the inlet and flush valves are set to the correct heights. See "Cistern Settings" above.**

No.	Description	Product Code	Fixings included	Gross Weight	Net Weight
1	Toilet Seat	TSP1129	Yes	2.5kg	2.1kg
2	Close coupled open back-to-wall pan	BTW700S	Yes	23.32kg (inc.Seat)	22.07kg



DIAGRAMS NOT TO SCALE  
ALL DIMENSIONS IN MM  
TOLERANCE OF ± 5MM



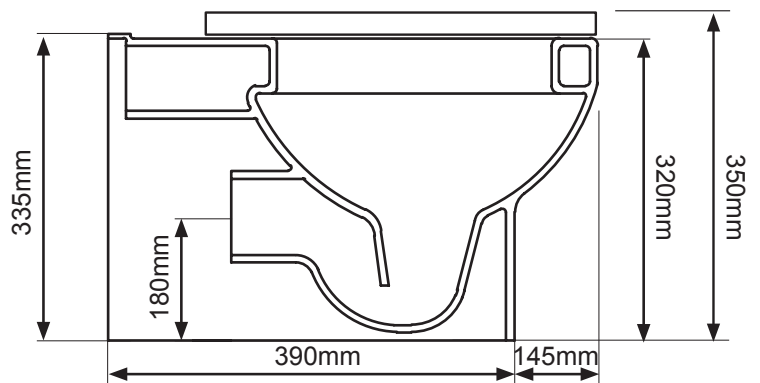
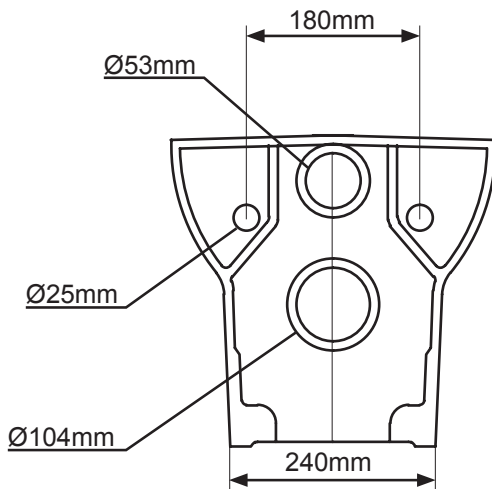
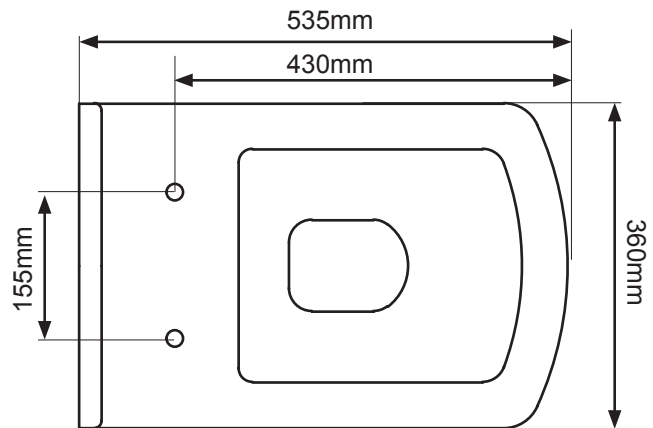
**FAQ's**

What side is the inlet located? **Right hand side**

Are there any other compatible seats? **No**

Can this pan be used with a side connection outlet pipe? **No**

No.	Description	Product Code	Fixings included	Gross Weight	Net Weight
1	Toilet Seat	TSP1129	Yes	2.5kg	2.1kg
2	Wall Hung Pan	WH700S	No	19.6 (inc.Seat)	18.36kg



DIAGRAMS NOT TO SCALE  
ALL DIMENSIONS IN MM  
TOLERANCE OF ± 5MM

**FAQ's**

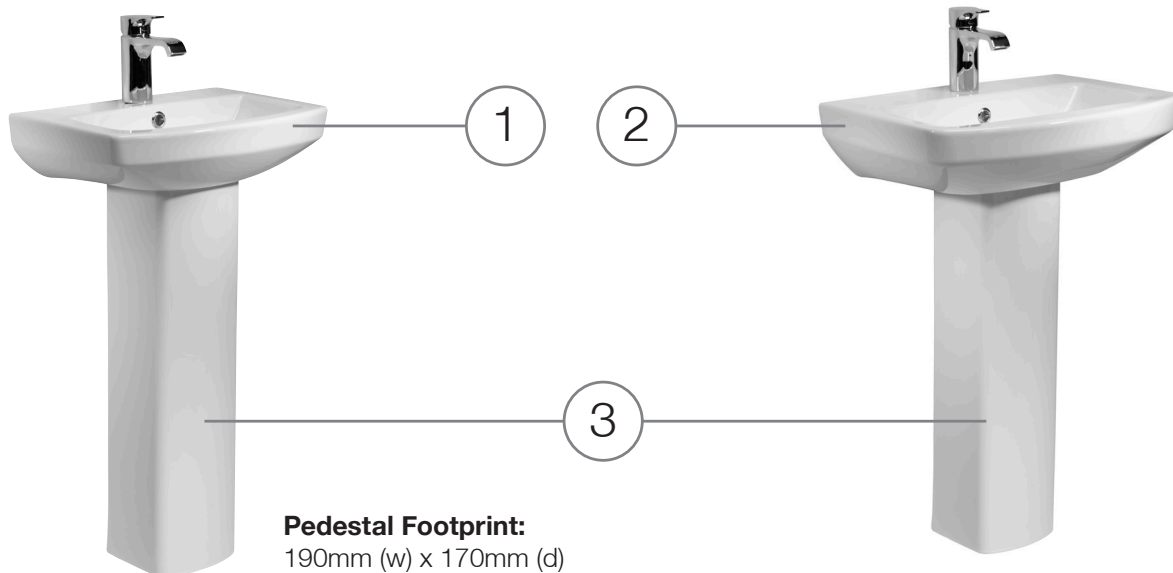
What side is the inlet located? **Right hand side**

Are there any other compatible seats? **No**

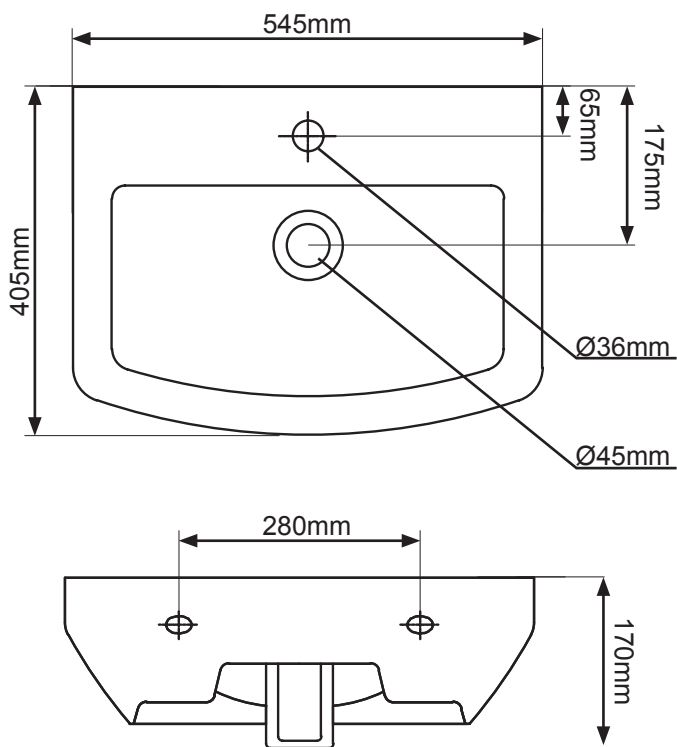
Can this pan be used with a side connection outlet pipe? **No**

The cistern lid won't shut/the cistern isn't working correctly. **Ensure the inlet and flush valves are set to the correct heights. See "Cistern Settings" above.**

No.	Description	Product Code	Fixings included	Gross Weight	Net Weight
1	450 x 340 Basin	SB745S	No	9.9	9.4
2	550 x 400 Basin	SB700S	No	12.12	12.5
3	Full Height Pedestal	PE700S	NO	12.74kg	12.24kg

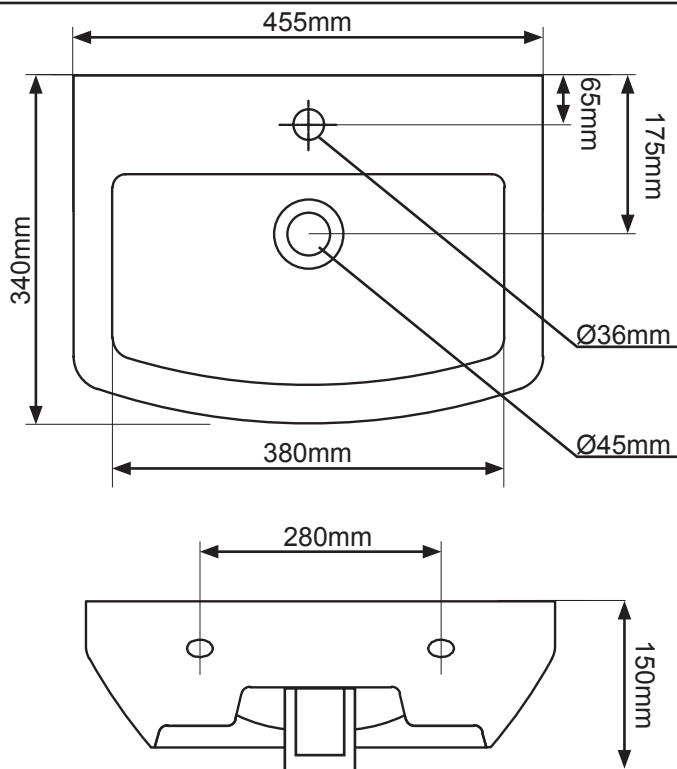


**550 X 400 MM BASIN**



**Bowl Depth:** xxxmm  
**Total Height of Ped & Basin:** 850 mm

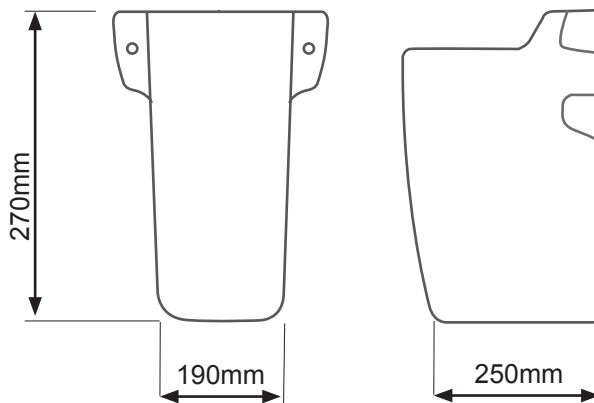
**450 X 340 MM BASIN**



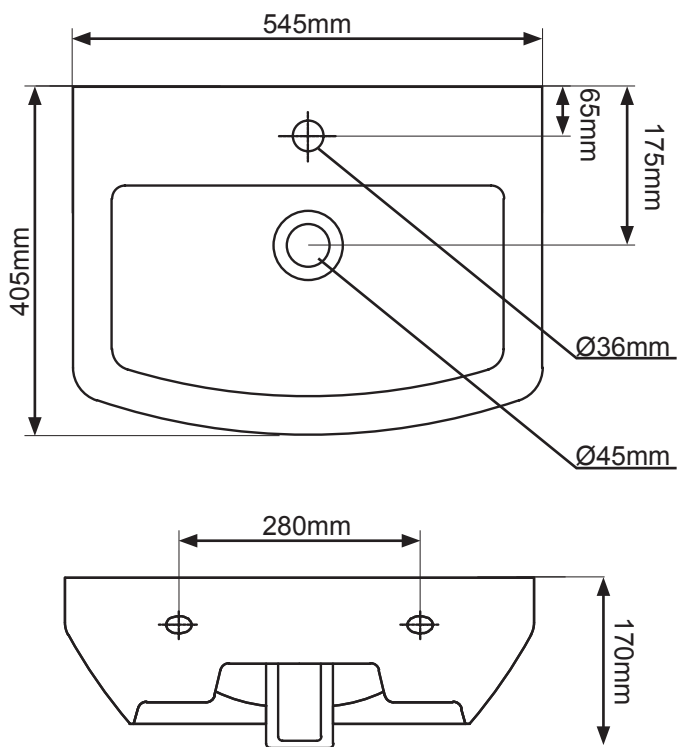
**Bowl Depth:** 105mm  
**Total Height of Ped & Basin:** 850 mm

DIAGRAMS NOT TO SCALE | ALL DIMENSIONS IN MM | TOLERANCE OF ± 5MM

No.	Description	Product Code	Fixings included	Gross Weight	Net Weight
1	450 x 340 Basin	SB745S	No	9.9	9.4
2	550 x 400 Basin	SB700S	No	12.12	12.5
3	Semi Pedestal	SMP700S	NO	7.06kg	6.62kg

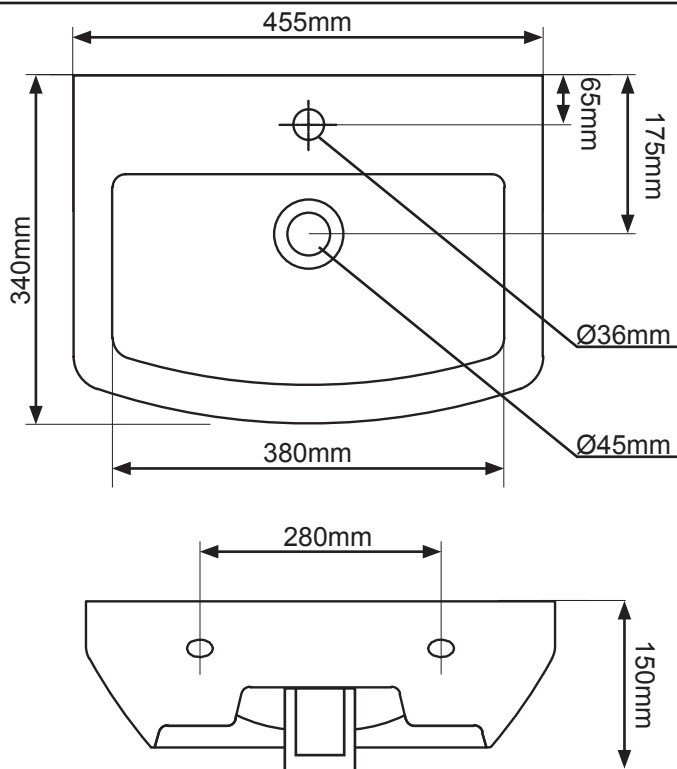


**550 X 400 MM BASIN**



**Bowl Depth:** xxxmm  
**Total Height of Ped & Basin:** 850 mm

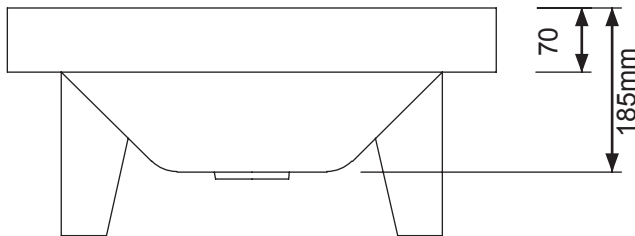
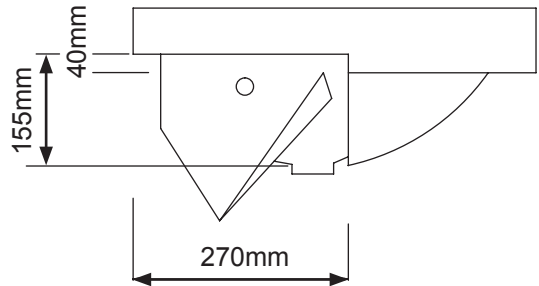
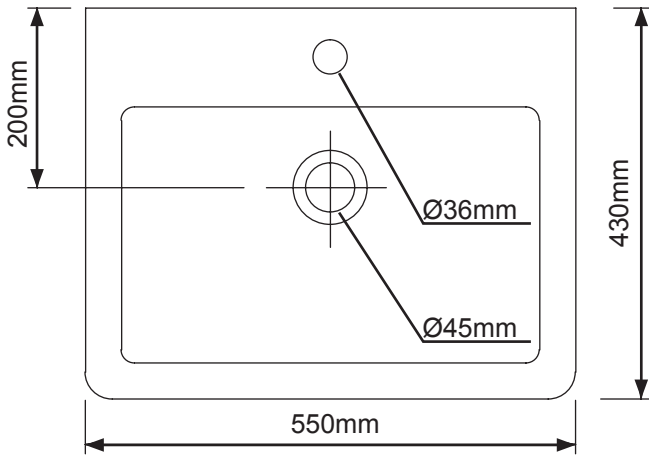
**450 X 340 MM BASIN**



**Bowl Depth:** 105mm  
**Total Height of Ped & Basin:** 850 mm

DIAGRAMS NOT TO SCALE | ALL DIMENSIONS IN MM | TOLERANCE OF ± 5MM

No.	Description	Product Code	Fixings included	Gross Weight	Net Weight
1	550 X 450 square sct basin	SCSB700S	YES	14.68	0.82



DIAGRAMS NOT TO SCALE  
ALL DIMENSIONS IN MM  
TOLERANCE OF ± 5MM