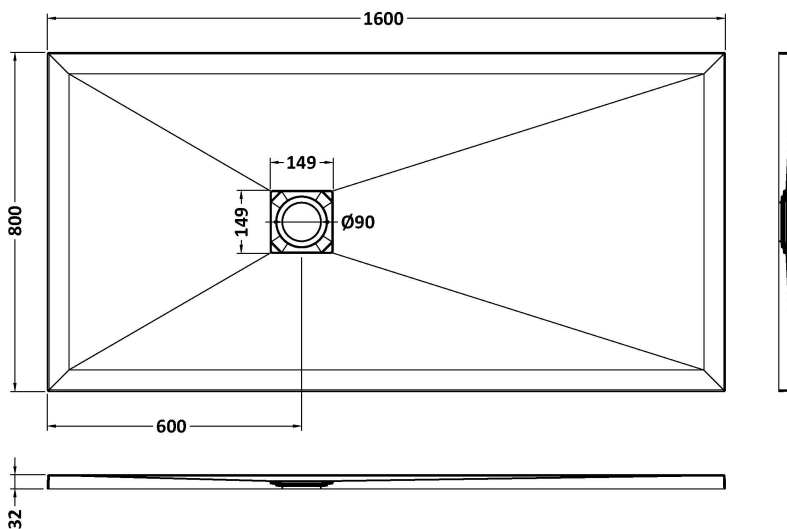


Sales Code: NLT91053

Description: Rectangular Shower Tray 1600X800



Product Dimensions

Length (mm):	1600
Width (mm):	800
Height (mm):	33
Nett Weight (kg):	52.33

Packaging Dimensions

Length (mm):	1640
Width (mm):	840
Height (mm):	73
Gross Weight (kg):	52.33

Packaging Data

Box Colour:	Shrinkwrap & Polystyrene
Box Qty:	1
Label Size:	100 x 50
Label Colour:	White Label
Label Qty:	2

Outer Box Dimensions (If Applicable)

Length (mm):	
Width (mm):	
Height (mm):	
Gross Weight (kg):	
Barcode:	5056462656373

Product Details

Country of Origin:	United Kingdom
Fitting Instruction:	No
CE Certification:	Yes
Colour/Finish:	Slate Black
Product Material:	Acrylic Capped ABS Caco3 & Pu
Material Colour Reference:	Slate Black
Radius:	0
Waste Required (mm):	90
Compatible with Leg Kit:	No