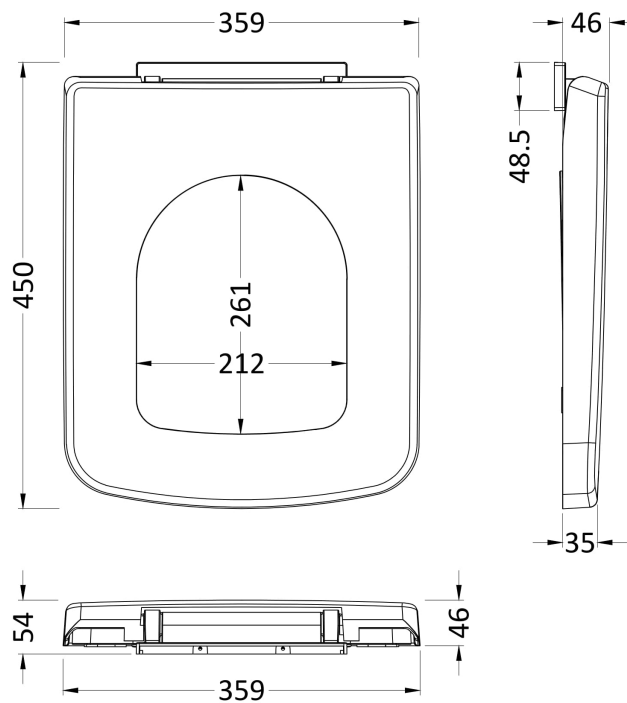


Sales Code: NCH196

Description: Standard Square Seat, Sc, Top Fix



Product Dimensions

Length (mm):	450
Width (mm):	359
Height (mm):	54
Nett Weight (kg):	2.54

Packaging Dimensions

Length (mm):	460
Width (mm):	380
Height (mm):	60
Gross Weight (kg):	2.8

Packaging Data

Box Colour:	White Cardboard Box - Printed
Box Qty:	1
Label Size:	100 x 50
Label Colour:	Not Applicable
Label Qty:	

Outer Box Dimensions (If Applicable)

Length (mm):	470
Width (mm):	280
Height (mm):	390
Gross Weight (kg):	14
Barcode:	5056211803362

Product Details

Country of Origin:	China
Fitting Instruction:	No
CE Certification:	Not Applicable
Product Material:	Polypropylene
Seat Type:	D Shape
Seat Function:	Soft Close
Hinge Centres (Min):	123
Hinge Centres (Max):	165
Hinge Material:	Stainless Steel Nylon
Colour/Finish:	White
Fixing Method:	Quick Release