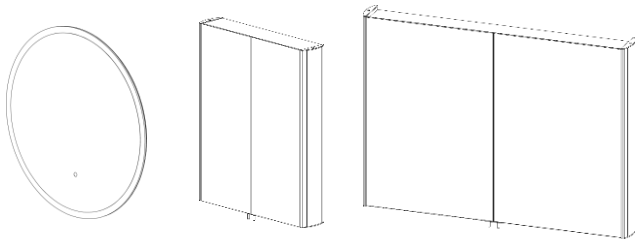


## Technical Data Sheet

### MOVE



#### Box Contents:

Move Cabinet | 2 glass shelves | 2x Wall hanging brackets | 4x wall plugs | 4x screws | Instructions booklet

#### Materials:

Carcass: Extruded Aluminium | Door: Double sided mirror | Backboard: 3mm MDF  
Glass: 3mm PVC Backed | Carcass end caps: Painted plastic

FAQ's:	Units	MO48AL	MO58AL	MO100AL
Internal dimensions (L x W x D)	mm	428 x 642 x 95	528 x 642 x 95	948 x 642 x 103
Shelf dimensions (L x W x D)	mm	88 x 428 x 4	88 x 528 x 4	88 x 948 x 5
Max shelf spacing	mm	300		
Distance between door hinges	mm	370		
Individual door dimensions (L x W x D)	mm	700 x 432 x 6	700 x 265 x 6	700 x 475 x 6
Max door opening angle	°	175°		
Max depth with door open	mm	606		
Hanging bracket centres	mm	420	535	955
What is the thickness of the mirror glass?	mm	6		

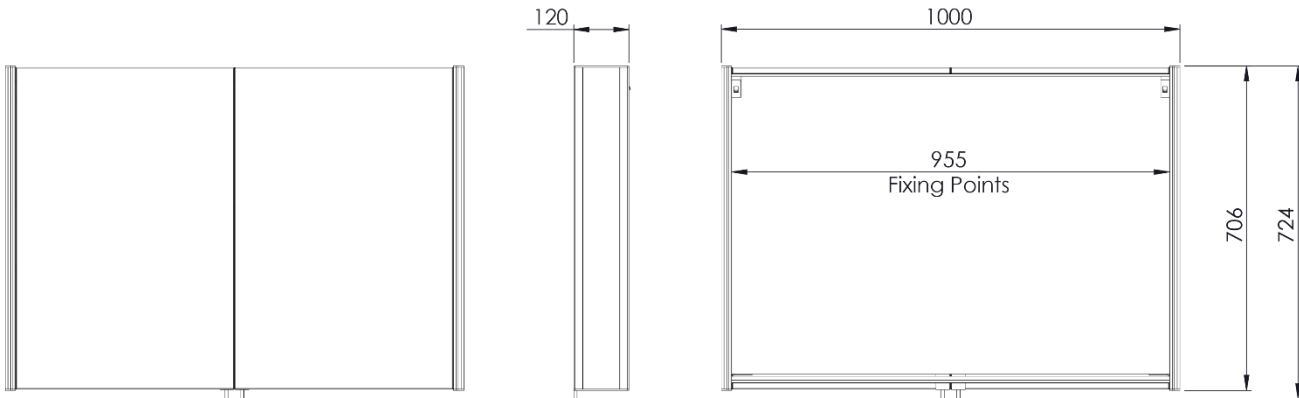
### 10 Year Guarantee

We have complete confidence in this Tavistock bathroom Cabinet and as such it is offered with a 10-year guarantee against defects in manufacture. The electronics are covered by our 2-year guarantee. In the unlikely event that this product should fail during the guarantee period we will either replace the faulty part or the complete unit as appropriate.

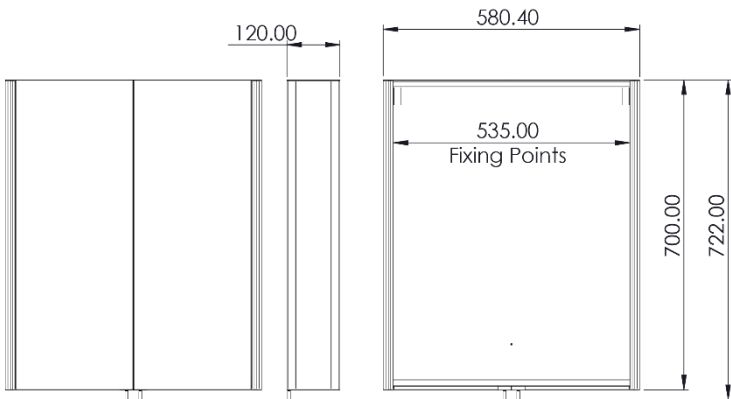
\*Dimensions are subject to change, customers are advised to measure actual product before commencing installation.

\*\*Fixing point dimensions are for guidance only/the positions of wall fixing must be checked when product is received.

## MO48AL



## MO58AL



## MO100AL

