

Installation Guide

Framed Single Square Bath screen

IMPORTANT

Please read the complete instructions before commencing fitting.

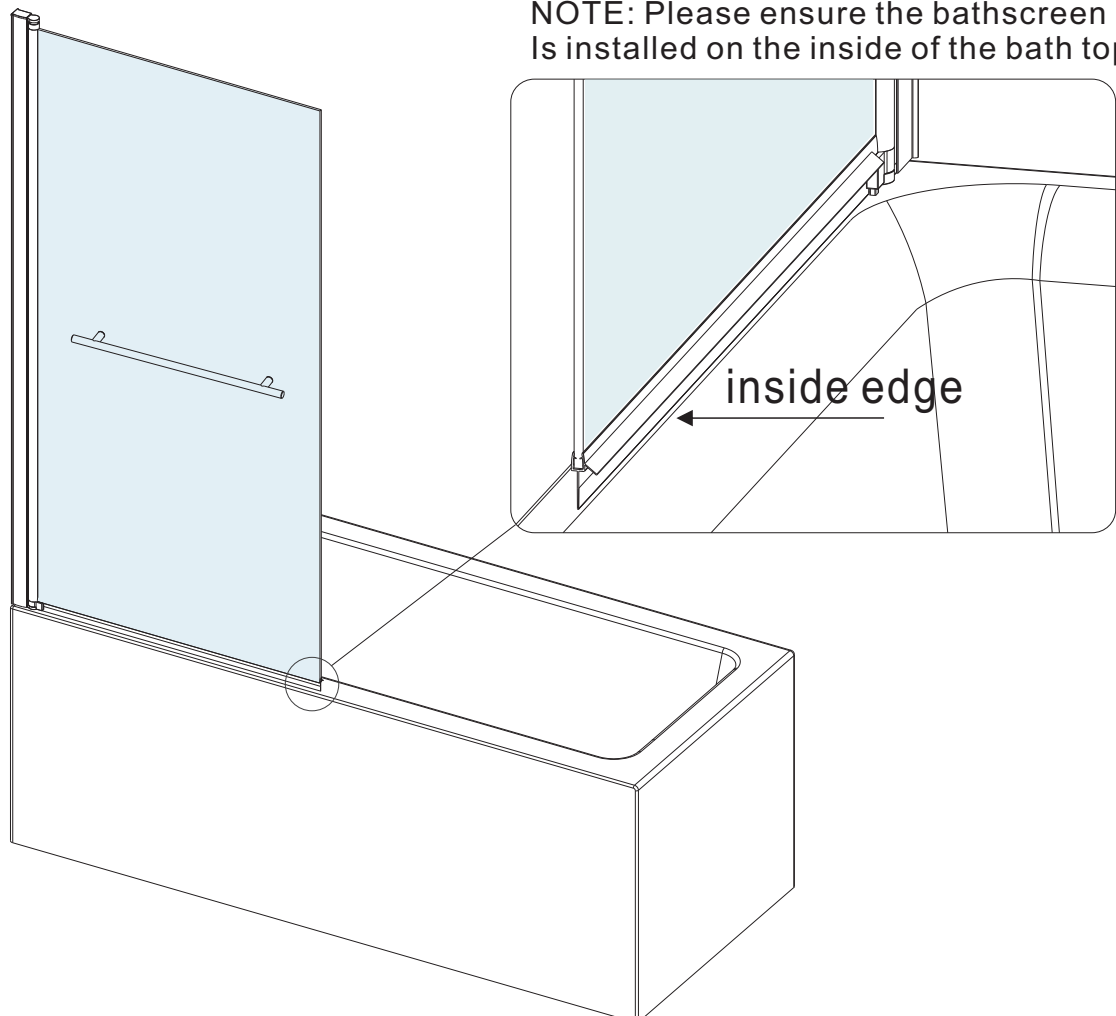
Do Not attempt to install the product unless you can tick all 4 boxes satisfactorily

- Check that you have the tools required
- Check the installation site is compatible with the sizes of door supplied
- Check all the enclosure components are present
- Check the installation kit is complete

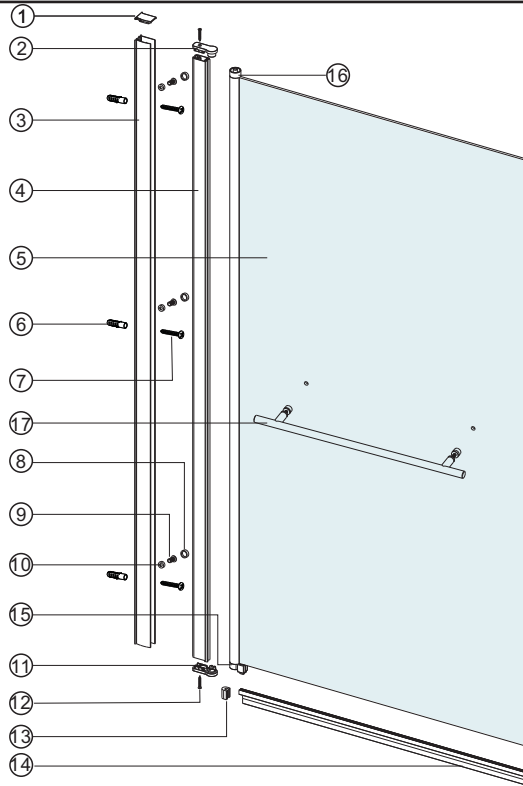
The wall plugs supplied with the installation kit are for use in solid walls. Hollow or 'stud partition' walls will require alternative fixings. Please consult a hardware supplier for the correct type. It may also be necessary to consult your tiling supplier about the correct method for drilling your tiles

ATTENTION: TAKE EXTREME CARE WHEN HANDLING GLASS. WEAR PROTECTIVE EYEWEAR AND CLOTHING. DO NOT LEAVE THE GLASS ON HARD SURFACES AND AVOID CONTACT BETWEEN THE GLASS EDGES AND HARD SURFACES OR IMPACTS DURING THE INSTALLATION

NOTE: Please ensure the bathscreen is installed on the inside of the bath top.



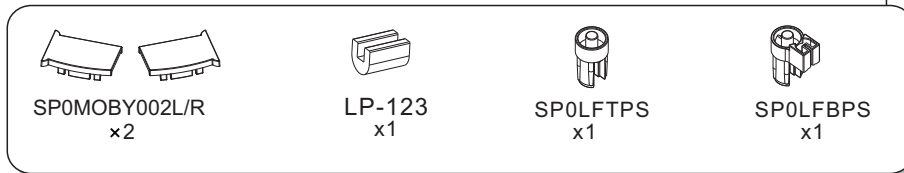
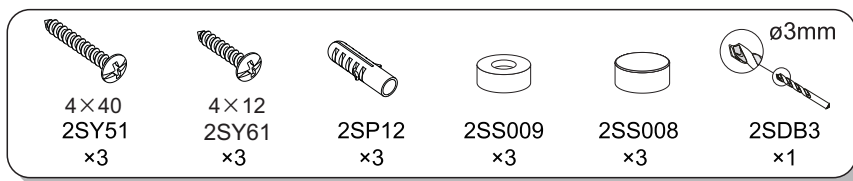
COMPONENTS AND BOX CONTENTS



No.	Description	Qty	Part No.	No.	Description	Qty	Part No.	No.	Description	Qty	Part No.
1	Wall profile cover	2	SP0MOBY002L/R	6	Wall Plug	3	2SP12	12	Screw(3.5X30mm)	2	SP0M7029
2	Bracket top Leakfree	1	SP0LF01	7	Screw(4X40mm)	3	2SY51	13	foam plastics	1	LP-123
3	Wall profile	1	LR8387C	8	Screw Cover Cap	3	2SS008	14	Clear Seal	1	SP0LFCS
4	Hinge post	1	S030C	9	Screw	3	2SY61	15	Top pivot sleeve	1	SP0LFBPS
5	Moving Glass Panel	1	A	10	Screw Cover Cap Clip	3	2SS009	16	Bottom pivot sleeve	1	SP0LFTPS
				11	Bracket bottom Leakfree	1	SP0LF02	17	Towel rail	1	BSYS025C

FIXING KIT COMPONENTS, TOOLS REQUIRED, SITE CONDITIONS

Fixing Kit components
parts shown are not to scale

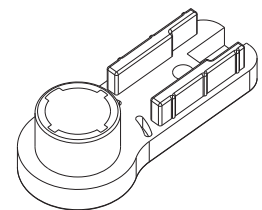


Tools required

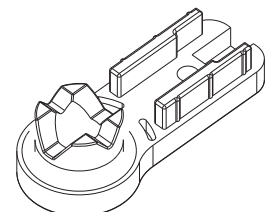
- 6mm Masonry drill bit
- Power drill
- Neutral cure anti bacterial silicone
- Pencil
- Tape measure
- #2 Philips head screw driver
- Spirit level with horizontal and vertical level indicators

IMPORTANT - Installation Site

1. Ensure your bath is level before fitting. This screen is not designed to fit on baths with stepped fronts, roll top rims or integral soap dishes.
2. The tiling or other wall finishing should be effectively sealed at the bath edges.



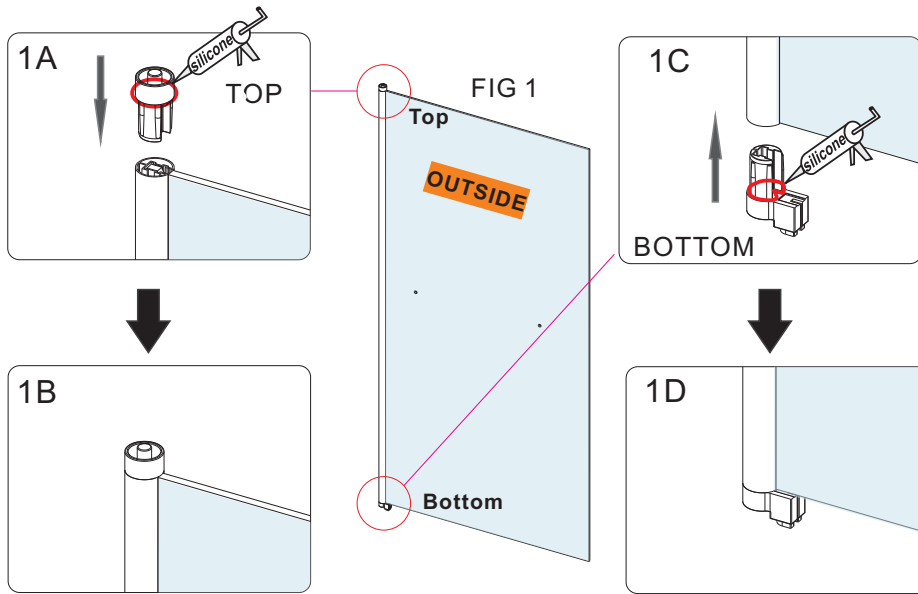
Top Bracket
SP0LF01
x1



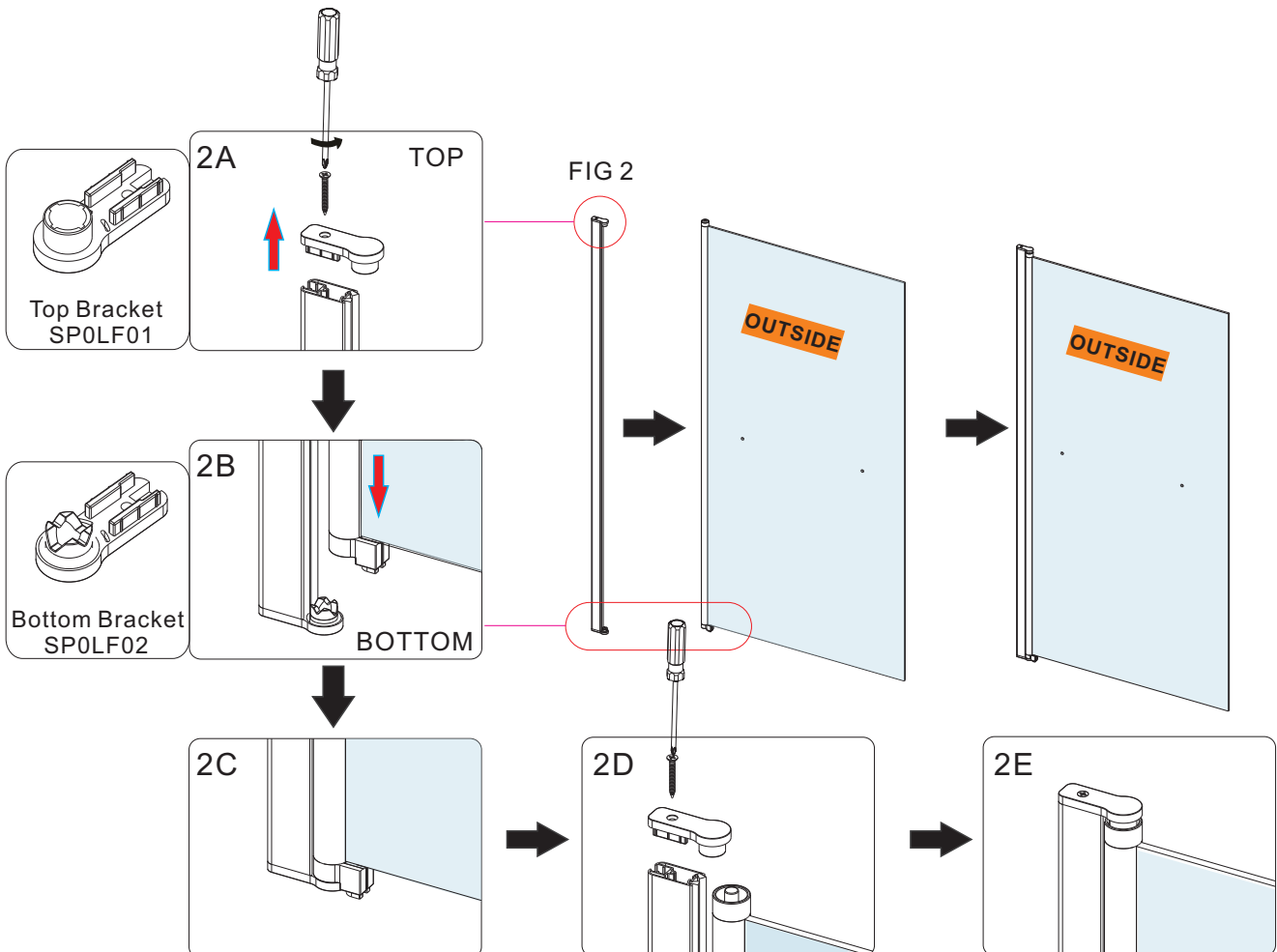
Bottom Bracket
SP0LF02
x1

INSTALLATION

1. Bathscreen is reversible, choose which handing is required ensuring that the glass coated side is always on the inside of the bath. Silicone the top pivot bracket and bottom pivot bracket, and then insert into the round profile. Fig 1, 1A-1D.

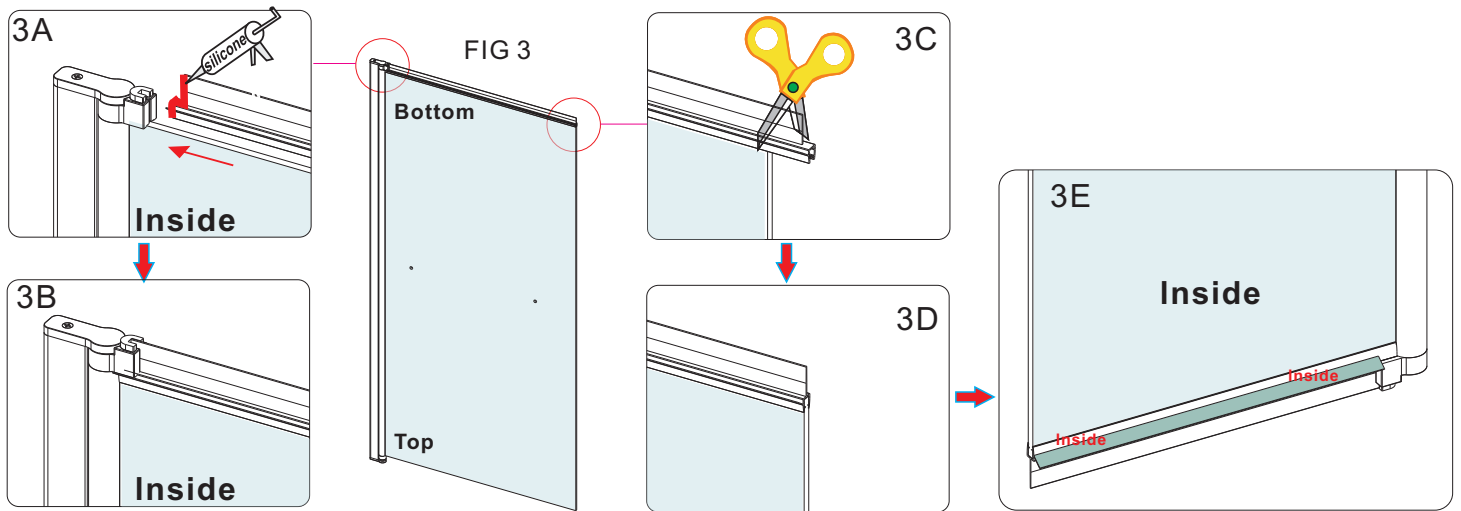


2. Unscrew the top pivot bracket SP0LF01 and insert panel A, reattach the pivot bracket. fig 2. Note: Ensure bottom pivot bracket SP0LF02 is always on the bottom of the product

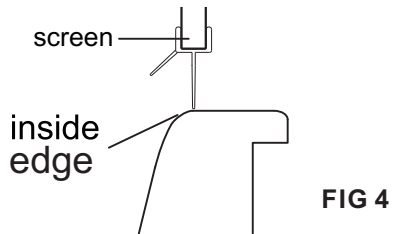


INSTALLATION

3. Fit the bottom clear seal **SP0LFCS** on to the bottom of the bathscreen. Fig 3. Apply silicone as shown in fig 3A firstly.

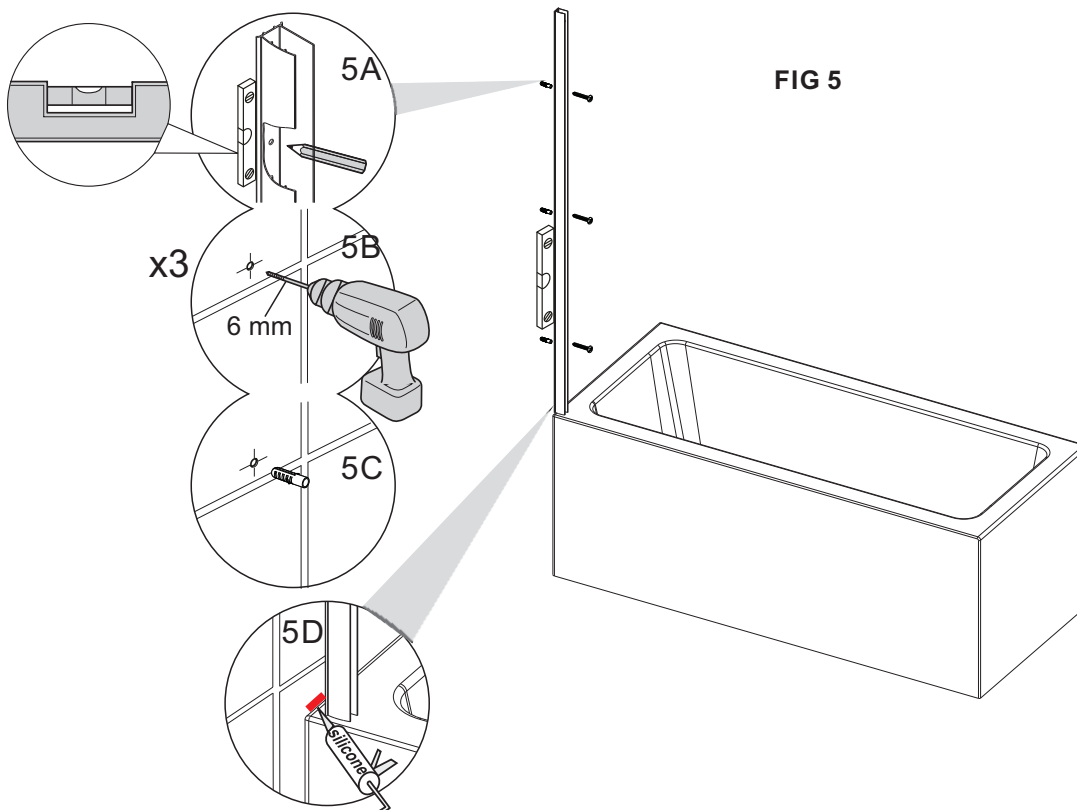


4. Position the wall profile **LR8387C** so the seal on the moving panel sits on the inside edge of the bath. Fig 4.



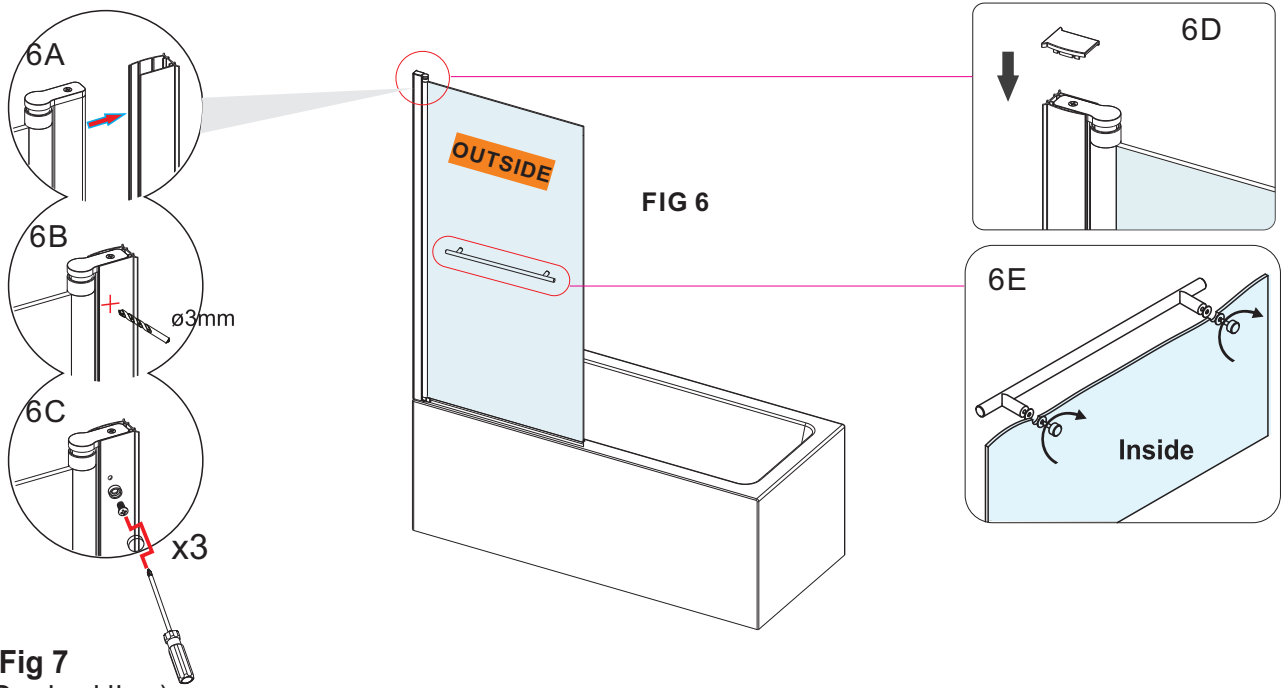
5. Plumb the wall profiles **LR8387C** using the vertical element of the spirit level. Mark 3 holes, drill with 6mm masonry bit and fit wall plugs **2SP12**. Using the 3 Screw **2SY51**, fix wall profiles to wall. Fig 5.

NOTE: Only silicone the wall profile after fixing to the wall (see sealing section). Do not silicone on the back of the wall profile before fixing to the wall.



6. Insert the screen into the wall profile. Ensure the bottom seal on the moving panel **A** is parallel to the top surface of the bath. NOTE: Silicone behind the wall profile on the bath edge if not siliconed previously

7. Drill 3 holes top, middle and bottom through the wall profile and fixed panel using a 3mm steel drill bit. Using the Screws **2SY61**, and screw cover caps **2SS008** and screw cover caps clips **2SS009** fix the hinge upright to the wall profile in 3 places. **Fig 6.**
8. Fix the wall profile cover **SP0MOBY002L/R** and **BSYS025C** to bath. **Fig 6.**



Sealing. Fig 7

Inside (Dashed line):

When installation is complete seal the joint between the wall profile and the wall, top to bottom on the inside only. **Silicone** as shown in Fig 7

Outside (Full line):

From outside the screen, **SILICONE** where the wall profile and hinge bracket sit on the bath. Seal 50mm up where the wall profile meets the wall and where the hinge upright and the wall profile over lap.

Below picture with heavy line is the edge between aluminium wall profile and aluminium hinge upright

