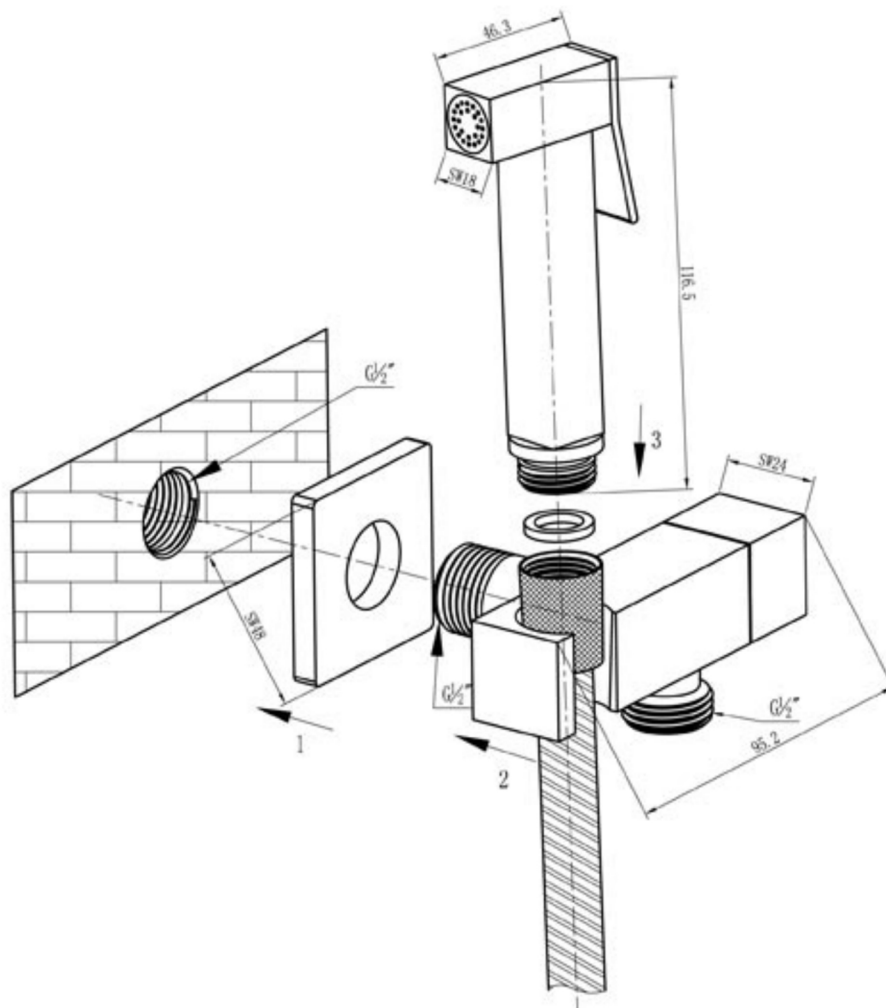




# Technical Drawing

**Product code: 551**

**Product range: Douches**



[www.jtpuk.co.uk](http://www.jtpuk.co.uk)

[technical@jtpuk.co.uk](mailto:technical@jtpuk.co.uk)

01895 442211