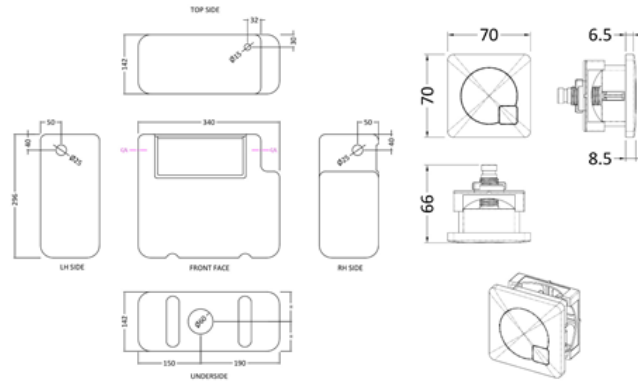


Sales Code: XTY8M03

Description: Dual Flush Cistern & Square Push Button

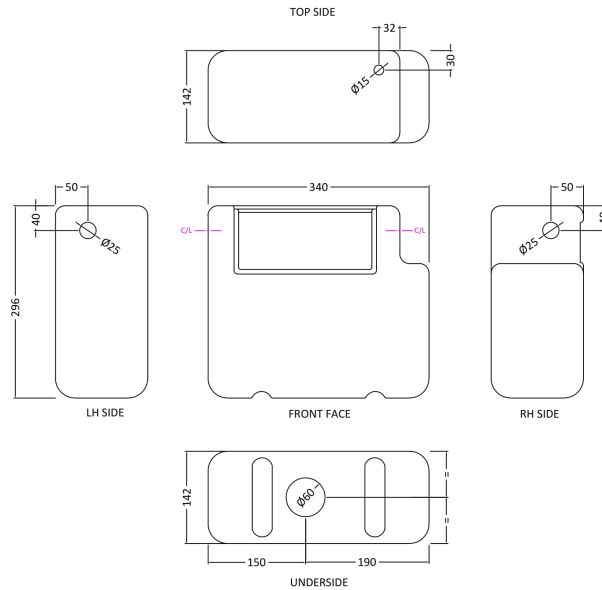


Packaging Details

Barcode: 5056211891895

Sales Code: XTY008

Description: Dual Flush Universal Concealed Cistern



Product Dimensions

| | |
|-------------------|-----|
| Length (mm): | |
| Width (mm): | 340 |
| Height (mm): | 296 |
| Depth (mm): | 142 |
| Nett Weight (kg): | 1.7 |

Packaging Dimensions

| | |
|--------------------|-----|
| Height (mm): | 300 |
| Width (mm): | 150 |
| Depth (mm): | 350 |
| Gross Weight (kg): | 1.7 |

Packaging Data

| | |
|---------------|---------------------|
| Box Colour: | Brown Cardboard Box |
| Box Qty: | 1 |
| Label Size: | 100 x 50 |
| Label Colour: | White Label |
| Label Qty: | 2 |

Outer Box Dimensions (If Applicable)

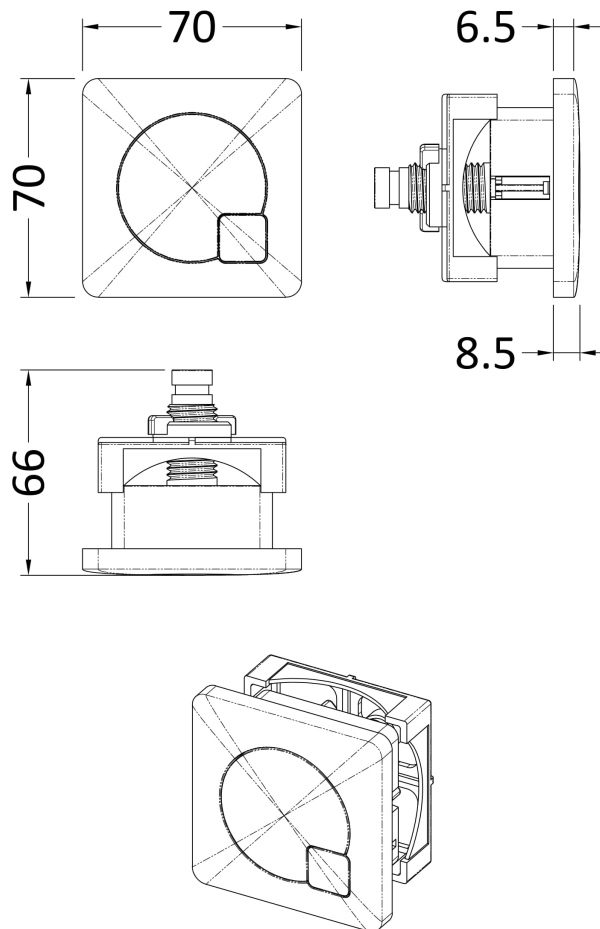
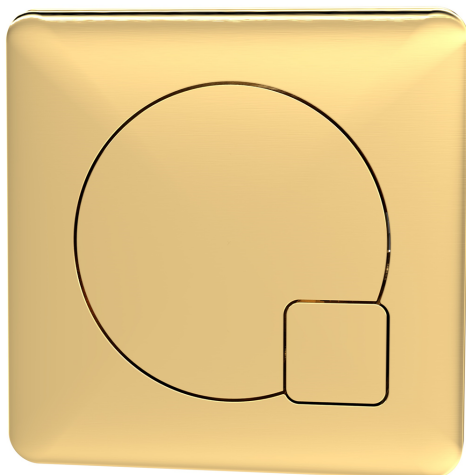
| | |
|--------------------|---------------|
| Height (mm): | |
| Width (mm): | |
| Length (mm): | |
| Depth (mm): | |
| Gross Weight (kg): | |
| Barcode: | 5055275826683 |

Product Details

| | |
|--------------------------|----------------|
| Country of Origin: | China |
| Fitting Instruction: | No |
| CE Certification: | |
| Product Material: | Plastic |
| Heating Element Wattage: | Not Applicable |
| Colour/Finish: | White |
| Product Diameter: | Not Applicable |
| Connection Size: | 1/2" Bsp |

Sales Code: MDPB03

Description: Square Dual Flush Push Button



Product Dimensions

| | |
|-------------------|-----|
| Length (mm): | |
| Width (mm): | 70 |
| Height (mm): | 70 |
| Depth (mm): | 99 |
| Nett Weight (kg): | 0.2 |

Packaging Dimensions

| | |
|--------------------|-----|
| Height (mm): | 50 |
| Width (mm): | 155 |
| Depth (mm): | 80 |
| Gross Weight (kg): | 0.2 |

Packaging Data

| | |
|---------------|---------------------|
| Box Colour: | White Cardboard Box |
| Box Qty: | 1 |
| Label Size: | 100 x 50 |
| Label Colour: | White Label |
| Label Qty: | 1 |

Outer Box Dimensions (If Applicable)

| | |
|--------------------|---------------|
| Height (mm): | |
| Width (mm): | |
| Length (mm): | |
| Depth (mm): | |
| Gross Weight (kg): | |
| Barcode: | 5056211893158 |

Product Details

| | |
|--------------------------|----------------|
| Country of Origin: | China |
| Fitting Instruction: | Yes |
| CE Certification: | |
| Product Material: | ABS |
| Heating Element Wattage: | Not Applicable |
| Colour/Finish: | Brushed Brass |
| Product Diameter: | |
| Connection Size: | N/A |