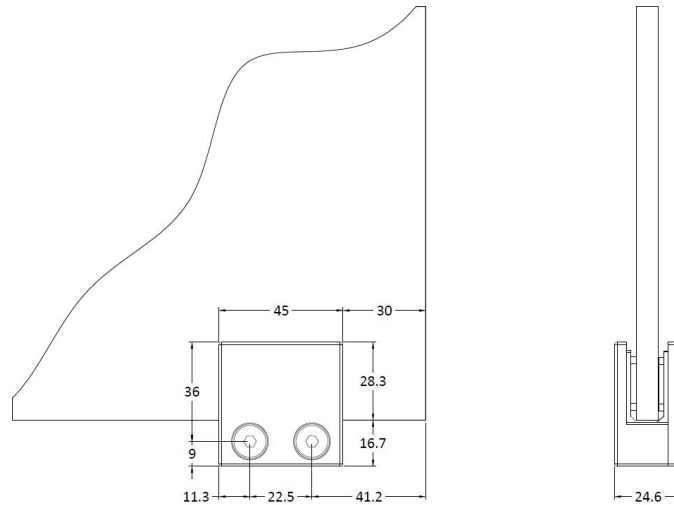


Sales Code: WRSF001

Description: Wetroom Support Foot & Wall Bracket



Product Dimensions

Height (mm):	45
Width (mm):	45
Depth (mm):	25
Nett Weight (kg):	0.16

Packaging Dimensions

Height (mm):	45
Width (mm):	30
Length (mm):	44
Gross Weight (kg):	0.16

Packaging Data

Box Colour:	White Cardboard Box
Box Qty:	1
Label Size:	100 x 50
Label Colour:	White Label
Label Qty:	1

Outer Box Dimensions (If Applicable)

Height (mm):	360
Width (mm):	270
Depth (mm):	
Length (mm):	
Gross Weight (kg):	
Barcode:	5056211800002

Product Details

Country of Origin:	China
Fitting Instruction:	Yes
CE Approval:	N/A
Profile Material:	Brass
Profile Finish:	Polished Chrome
Adjustments (mm):	N/A
Entry Width (mm):	N/A
Swing In Dim (mm):	N/A
Swing Out Dim (mm):	N/A
Radius (mm):	Not Applicable
Glass Thickness (mm):	
Easy Fit:	Not Applicable
Easy Clean:	Not Applicable
Handle Style:	Not Applicable
Handle Material:	Not Applicable
Enclosure Design:	Not Applicable
Wheel Type:	Not Applicable
Support Bar Included:	Support Bar Not Included
Extras:	None