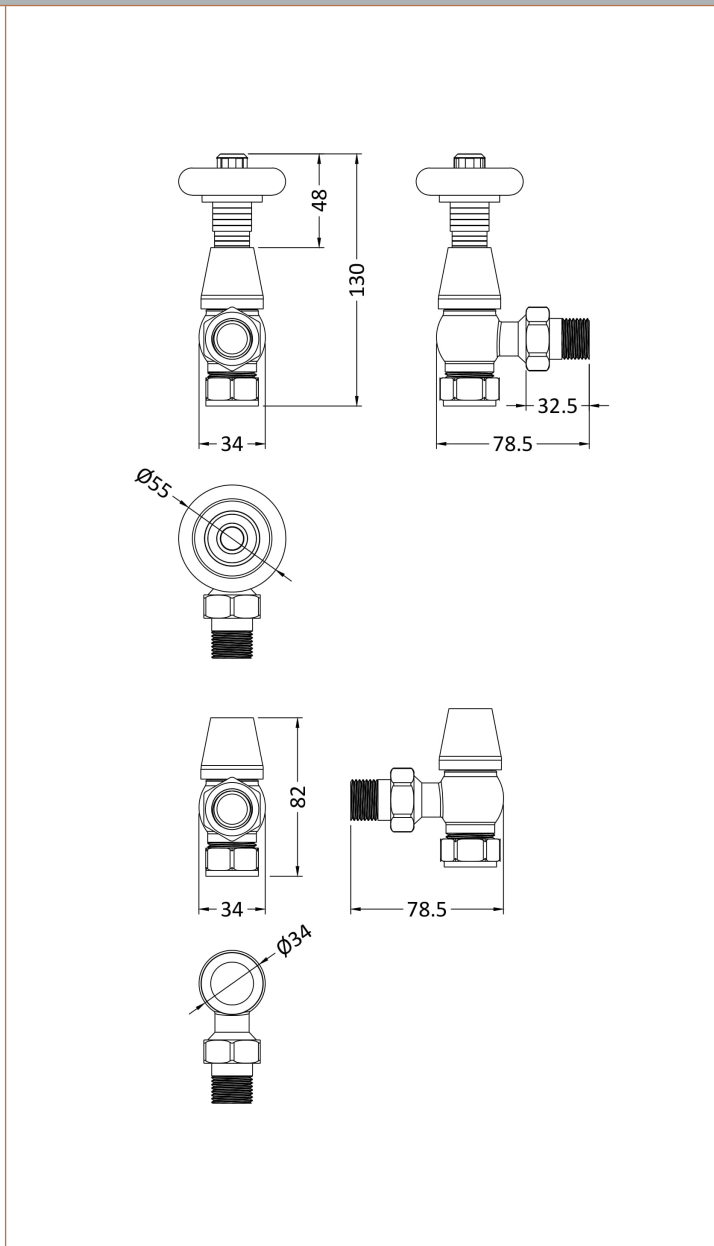


Sales Code: RV203

Description: Chelsea Angled Thermo Rad Valve & Locksh



Product Dimensions	
Height (mm):	131
Width (mm):	55
Depth (mm):	97
Length (mm):	
Nett Weight (kg):	0.83
Packaging Dimensions	
Height (mm):	185
Width (mm):	145
Length (mm):	85
Gross Weight (kg):	0.83
Packaging Data	
Box Colour:	White Cardboard Box
Box Qty:	1
Label Size:	100 x 50
Label Colour:	White Label
Label Qty:	1
Outer Box Dimensions (If Applicable)	
Height (mm):	
Width (mm):	
Length (mm):	
Gross Weight (kg):	
Barcode:	5055275862384
Product Details	
Country of Origin:	United Kingdom
Fitting Instruction:	No
Certification:	CE: N/A RoHS: N/A WEEE: No
Colour/Finish:	Satin Nickel
RAL No:	N/A
Product Material:	Brass
Heat Element Wattage:	Not Applicable
Heating Element Wattage Compatible:	N/A
BTU Outputs:	30°C / N/A 50°C / N/A 60°C /
Thermal Outputs: (Watts)	30°C / N/A 50°C / N/A 60°C /
Pipe Centres - If Vertical:	N/A
Pipe Centres - If Horizontal:	N/A
Max Projection:	N/A
Tube Diameter:	15mm
Packaging Volume (L):	N/A
Wall to Centre of Tappings:	N/A
Floor to Centre of Tappings:	N/A
Dual Fuel:	N/A
IP Rating:	