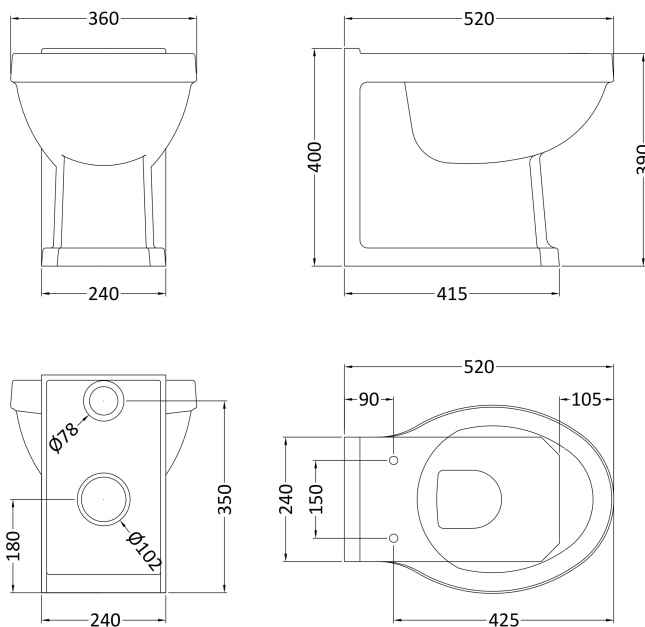


Sales Code: NCS806

Description: Back To Wall Pan (Excluding Seat)



Product Dimensions

Height (mm):	400
Width (mm):	360
Depth (mm):	520
Nett Weight (kg):	20.74

Packaging Dimensions

Height (mm):	430
Width (mm):	370
Depth (mm):	530
Gross Weight (kg):	21.5

Packaging Data

Box Colour:	Brown Cardboard Box - Printed
Box Qty:	1
Label Size:	100 x 50
Label Colour:	Not Applicable
Label Qty:	0

Outer Box Dimensions (If Applicable)

Height (mm):	
Width (mm):	
Depth (mm):	
Gross Weight (kg):	
Barcode:	5055369040186

Product Details

Country of Origin:	China
Fitting Instruction:	No
Certification:	CE: N/A WRAS: N/A WRAS No: N/A
Product Material:	Vitreous China
Fixing Supplied:	No

Pans/Bidets: Trap Style: P Trap Includes Seat: No

Seats: Seat Type: Round Material: Not Applicable
 Function: Not Applicable Hinge Type: Top Fix
 Hinge Material: Not Applicable

Cisterns: Operating Type: Not Applicable Fittings: Not Applicable
 Lever Type: Not Applicable

Basins: Tap Hole: Not Applicable Chain Stay Hole: Not Applicable
 Template: Not Applicable Waste Type Req: Not Applicable
 Overflow Inc: Not Applicable Overflow Cover: Not Applicable
 Inner Bowl Depth (mm): N/A