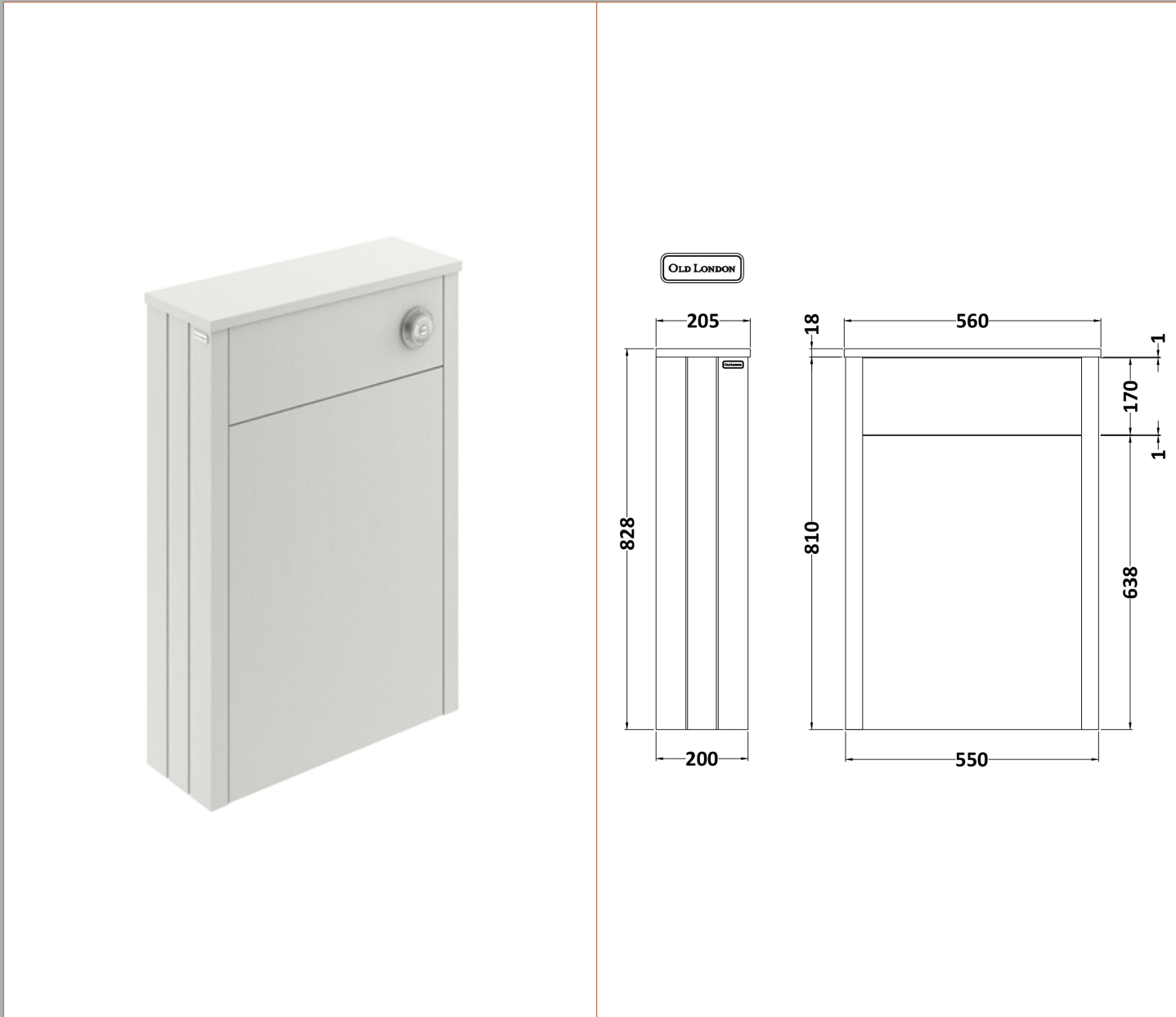


Sales Code: LON441

Description: 550 Wc Unit



Product Dimensions

Height (mm):	828
Width (mm):	560
Depth (mm):	205
Nett Weight (kg):	15.5

Packaging Dimensions

Height (mm):	860
Width (mm):	590
Depth (mm):	235
Gross Weight (kg):	16

Packaging Data

Box Colour:	Brown Cardboard Box
Box Qty:	1
Label Size:	150 x 100
Label Colour:	White Label
Label Qty:	2

Outer Box Dimensions (If Applicable)

Height (mm):	
Width (mm):	
Depth (mm):	
Gross Weight (kg):	
Barcode:	5056211818229

Product Details

Country of Origin:	United Kingdom
Fitting Instruction:	Yes
Certification:	FSC: Yes CE:
Colour:	Timeless Sand
Construction Method:	Cam & Wood Dowel
Construction Type:	Rigid
Cabinet Finish:	Mdf Vinyl Textured Woodgrain
Fascia Finish:	Mdf Vinyl Textured Woodgrain
Cabinet Thickness (mm):	18
Fascia Thickness (mm):	18
Drawer Included:	Not Applicable
Drawer Type:	Not Applicable
No of Shelves:	Not Applicable
Hinge Type:	Not Applicable
Hinge Included:	Not Applicable
Adjustable Legs:	Not Applicable
Fixings Included:	Not Required
Handle Style:	Not Applicable
Handle Included:	Not Applicable
Waste Shroud:	Not Applicable
Handle Type:	Not Applicable