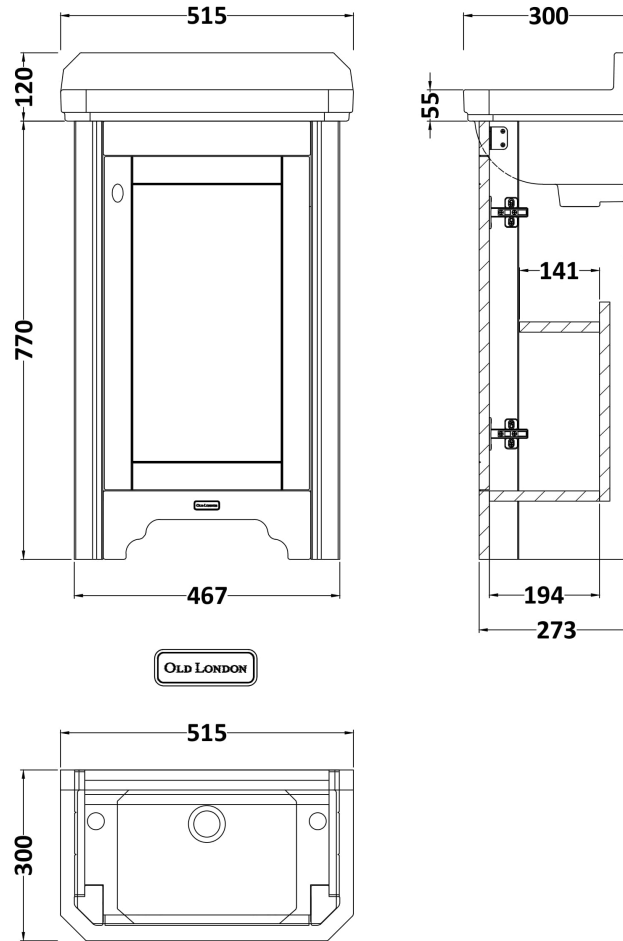


Sales Code: LOF369

Description: 515mm 1-Door Unit & Basin 2Th

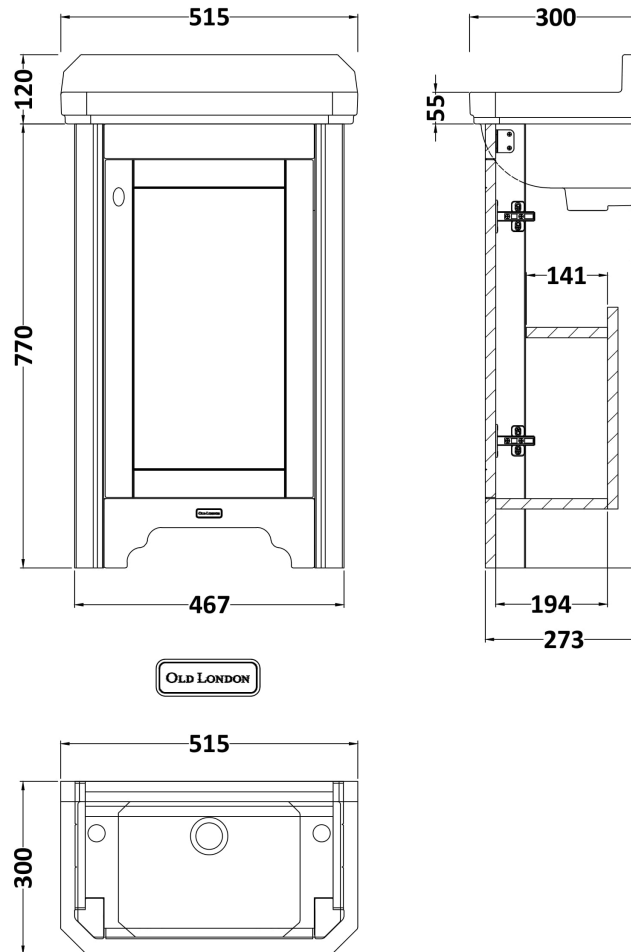


### Packaging Details

Barcode: 5056211820048

Sales Code: LON302

Description: 515mm Basin Unit



### Product Dimensions

Height (mm):	770
Width (mm):	273
Depth (mm):	467
Nett Weight (kg):	17.5

### Packaging Dimensions

Height (mm):	800
Width (mm):	497
Depth (mm):	303
Gross Weight (kg):	18

### Packaging Data

Box Colour:	Brown Cardboard Box
Box Qty:	1
Label Size:	150 x 100
Label Colour:	White Label
Label Qty:	2

### Outer Box Dimensions (If Applicable)

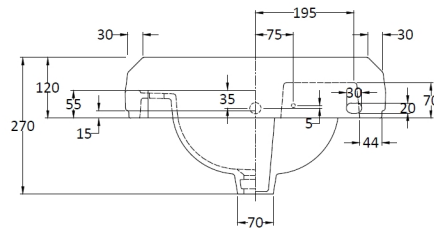
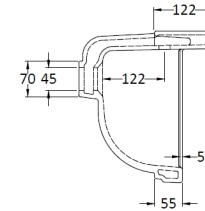
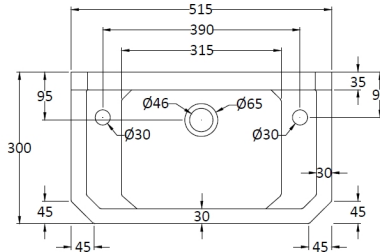
Height (mm):	
Width (mm):	
Depth (mm):	
Gross Weight (kg):	
Barcode:	5056211818519

### Product Details

Country of Origin:	United Kingdom
Fitting Instruction:	No
Certification:	FSC: Yes CE:
Colour:	Twilight Blue
Construction Method:	Cam & Wood Dowel
Construction Type:	Rigid
Cabinet Finish:	Mdf Vinyl Textured Woodgrain
Fascia Finish:	Mdf Vinyl Textured Woodgrain
Cabinet Thickness (mm):	18
Fascia Thickness (mm):	18
Drawer Included:	No
Drawer Type:	Not Applicable
No of Shelves:	1
Hinge Type:	95 Degree Inset Clip-On S/C
Hinge Included:	Yes
Adjustable Legs:	Not Applicable
Fixings Included:	Not Required
Handle Style:	Traditional
Handle Included:	Yes
Waste Shroud:	No
Handle Type:	Knob

Sales Code: NCS829

Description: 515mm Cloakroom Basin 2Th



**Product Dimensions**

Height (mm):	270
Width (mm):	515
Depth (mm):	300
Nett Weight (kg):	9.55

**Packaging Dimensions**

Height (mm):	280
Width (mm):	310
Depth (mm):	525
Gross Weight (kg):	10.1

**Packaging Data**

Box Colour:	Brown Cardboard Box - Printed
Box Qty:	1
Label Size:	100 x 50
Label Colour:	Not Applicable
Label Qty:	0

**Outer Box Dimensions (If Applicable)**

Height (mm):	
Width (mm):	
Depth (mm):	
Gross Weight (kg):	
Barcode:	5055369040063

**Product Details**

Country of Origin:	China
Fitting Instruction:	Yes
Certification:	CE: N/A WRAS: N/A WRAS No: N/A
Product Material:	Vitreous China
Fixing Supplied:	No

**Pans/Bidets:** Trap Style: Not Applicable Includes Seat: Not Applicable

**Seats:** Seat Type: Not Applicable Material: Not Applicable  
Function: Not Applicable Hinge Type: Not Applicable  
Hinge Material: Not Applicable

**Cisterns:** Operating Type: Not Applicable Fittings: Not Applicable  
Lever Type: Not Applicable

**Basins:** Tap Hole: Two Tapholes Chain Stay Hole: Yes  
Template: Not Required Waste Type Req: Slotted  
Overflow Inc: Yes Overflow Cover: Yes  
Inner Bowl Depth (mm): 95mm