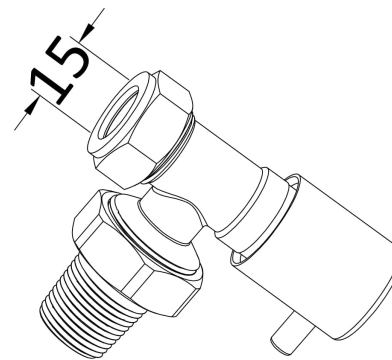
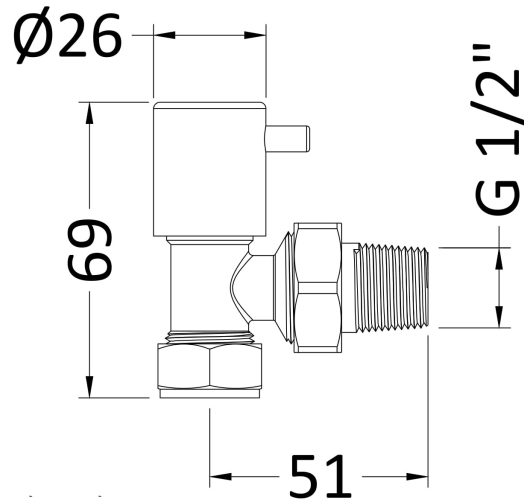


Sales Code: HT328

Description: Minimalist Radiator Valves - Angled



Product Dimensions

| | |
|-------------------|------|
| Height (mm): | 69 |
| Width (mm): | 26 |
| Depth (mm): | 64 |
| Length (mm): | |
| Nett Weight (kg): | 0.53 |

Packaging Dimensions

| | |
|--------------------|------|
| Height (mm): | 40 |
| Width (mm): | 100 |
| Length (mm): | 130 |
| Gross Weight (kg): | 0.53 |

Packaging Data

| | |
|---------------|---------------------|
| Box Colour: | White Cardboard Box |
| Box Qty: | 1 |
| Label Size: | 100 x 50 |
| Label Colour: | White Label |
| Label Qty: | 1 |

Outer Box Dimensions (If Applicable)

| | |
|--------------------|---------------|
| Height (mm): | |
| Width (mm): | |
| Length (mm): | |
| Gross Weight (kg): | |
| Barcode: | 5055146148944 |

Product Details

| | | | |
|-------------------------------------|----------------|------------|-----------|
| Country of Origin: | China | | |
| Fitting Instruction: | No | | |
| Certification: | CE: N/A | RoHS: N/A | WEEE: N/A |
| Colour/Finish: | Chrome | | |
| RAL No: | N/A | | |
| Product Material: | Steel | | |
| Heat Element Wattage: | Not Applicable | | |
| Heating Element Wattage Compatible: | N/A | | |
| BTU Outputs: | 30°C / N/A | 50°C / N/A | 60°C / |
| Thermal Outputs: (Watts) | 30°C / N/A | 50°C / N/A | 60°C / |
| Pipe Centres - If Vertical: | N/A | | |
| Pipe Centres - If Horizontal: | N/A | | |
| Max Projection: | 60mm | | |
| Tube Diameter: | N/A | | |
| Packaging Volume (L): | N/A | | |
| Wall to Centre of Tappings: | N/A | | |
| Floor to Centre of Tappings: | N/A | | |
| Dual Fuel: | N/A | | |
| IP Rating: | | | |