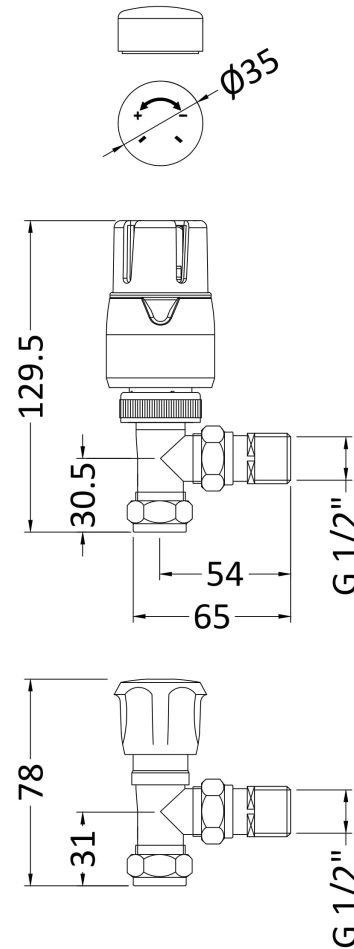


**Sales Code:** HT326

**Description:** Angled Thermostatic Radiator Valve Pack



**Product Dimensions**

Height (mm):	130
Width (mm):	45
Depth (mm):	76
Length (mm):	
Nett Weight (kg):	0.51

**Packaging Dimensions**

Height (mm):	73
Width (mm):	105
Length (mm):	93
Gross Weight (kg):	0.51

**Packaging Data**

Box Colour:	White Cardboard Box
Box Qty:	1
Label Size:	100 x 50
Label Colour:	White Label
Label Qty:	1

**Outer Box Dimensions (If Applicable)**

Height (mm):	
Width (mm):	
Length (mm):	
Gross Weight (kg):	
Barcode:	5055146148906

**Product Details**

Country of Origin:	China
Fitting Instruction:	No
Certification:	CE: N/A    RoHS: N/A    WEEE: N/A
Colour/Finish:	Chrome
RAL No:	N/A
Product Material:	Steel
Heat Element Wattage:	Not Applicable
Heating Element Wattage Compatible:	N/A
BTU Outputs:	30°C / N/A    50°C / N/A    60°C /
Thermal Outputs: (Watts)	30°C / N/A    50°C / N/A    60°C /
Pipe Centres - If Vertical:	N/A
Pipe Centres - If Horizontal:	N/A
Max Projection:	N/A
Tube Diameter:	N/A
Packaging Volume (L):	N/A
Wall to Centre of Tappings:	N/A
Floor to Centre of Tappings:	N/A
Dual Fuel:	N/A
IP Rating:	