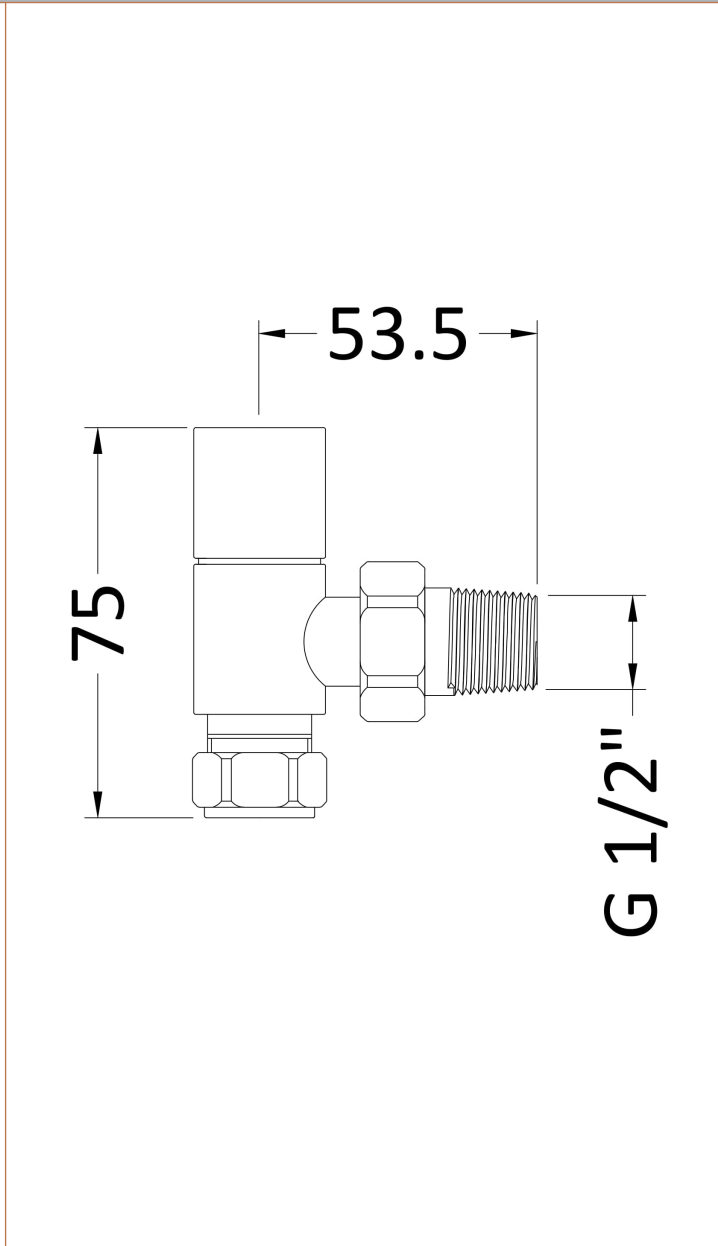


Sales Code: HT324

Description: Pure Square Radiator Valve Pack Angled



Product Dimensions

Height (mm):	75
Width (mm):	25
Depth (mm):	65
Length (mm):	
Nett Weight (kg):	0.61

Packaging Dimensions

Height (mm):	85
Width (mm):	75
Length (mm):	75
Gross Weight (kg):	0.61

Packaging Data

Box Colour:	White Cardboard Box
Box Qty:	1
Label Size:	100 x 50
Label Colour:	White Label
Label Qty:	1

Outer Box Dimensions (If Applicable)

Height (mm):	
Width (mm):	
Length (mm):	
Gross Weight (kg):	
Barcode:	5055369011933

Product Details

Country of Origin:	United Kingdom		
Fitting Instruction:	No		
Certification:	CE: N/A	RoHS: N/A	WEEE: N/A
Colour/Finish:	Chrome		
RAL No:	N/A		
Product Material:	Steel		
Heat Element Wattage:	Not Applicable		
Heating Element Wattage Compatible:	N/A		
BTU Outputs:	30°C / N/A	50°C / N/A	60°C /
Thermal Outputs: (Watts)	30°C / N/A	50°C / N/A	60°C /
Pipe Centres - If Vertical:	N/A		
Pipe Centres - If Horizontal:	N/A		
Max Projection:			
Tube Diameter:	N/A		
Packaging Volume (L):	N/A		
Wall to Centre of Tappings:	N/A		
Floor to Centre of Tappings:	N/A		
Dual Fuel:	N/A		
IP Rating:			