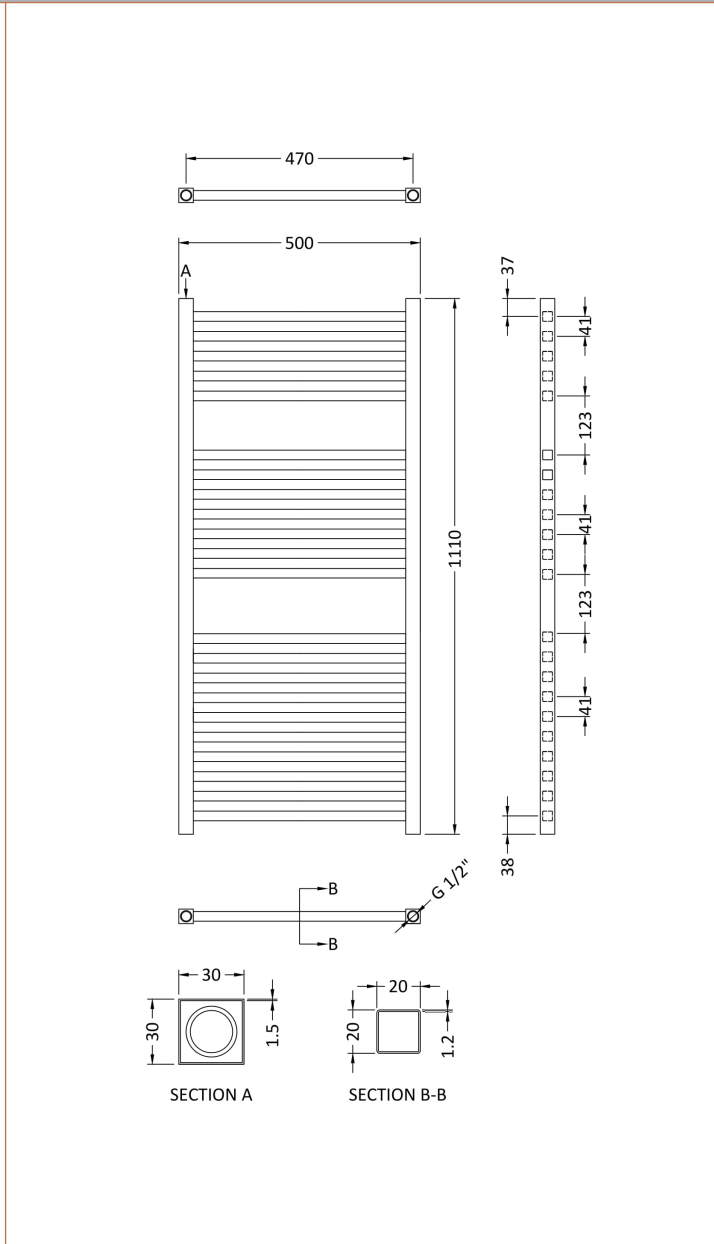


Sales Code: HL153

Description: Square Anthracite Rad 1110X500 (500 W)



Product Dimensions

Height (mm):	1100
Width (mm):	500
Depth (mm):	30
Length (mm):	
Nett Weight (kg):	13.2

Packaging Dimensions

Height (mm):	55
Width (mm):	525
Length (mm):	1285
Gross Weight (kg):	14.95

Packaging Data

Box Colour:	Brown Cardboard Box
Box Qty:	1
Label Size:	190 x 75
Label Colour:	White Label
Label Qty:	1

Outer Box Dimensions (If Applicable)

Height (mm):	
Width (mm):	
Length (mm):	
Gross Weight (kg):	
Barcode:	5055275893821

Product Details

Country of Origin:	Italy
Fitting Instruction:	Yes
Certification:	CE: RoHS: Yes WEEE: Yes
Colour/Finish:	
RAL No:	

Product Material:

Heat Element Wattage:

Heating Element Wattage Compatible:

BTU Outputs:	30°C /	50°C / 1706	60°C /
Thermal Outputs: (Watts)	30°C /	50°C /	60°C /

Pipe Centres - If Vertical:

Pipe Centres - If Horizontal:

Max Projection:

Tube Diameter:

Packaging Volume (L):

Wall to Centre of Tappings:

Floor to Centre of Tappings:

Dual Fuel:

IP Rating:	Ip64 Ingress Protection
------------	-------------------------