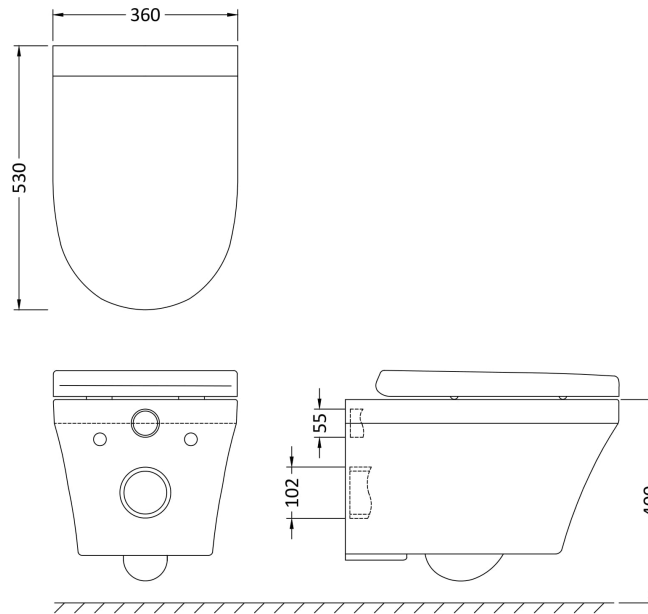


**Sales Code:** Cpa027

**Description:** Luna Wall Hung Pan And Seat

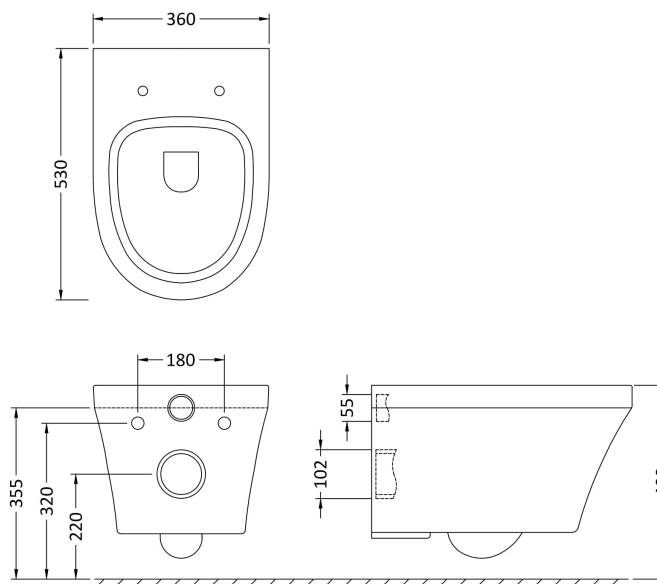


**Packaging Details**

Barcode: 5055275895726

Sales Code: NCU600C

Description: Wall Hung Pan



### Product Dimensions

|                   |      |
|-------------------|------|
| Height (mm):      | 400  |
| Width (mm):       | 355  |
| Depth (mm):       | 530  |
| Nett Weight (kg): | 32.7 |

### Packaging Dimensions

|                    |      |
|--------------------|------|
| Height (mm):       | 400  |
| Width (mm):        | 360  |
| Depth (mm):        | 550  |
| Gross Weight (kg): | 32.7 |

### Packaging Data

|               |                               |  |  |
|---------------|-------------------------------|--|--|
| Box Colour:   | Brown Cardboard Box - Printed |  |  |
| Box Qty:      | 1                             |  |  |
| Label Size:   | 100 x 50                      |  |  |
| Label Colour: | White Label                   |  |  |
| Label Qty:    | 2                             |  |  |

### Outer Box Dimensions (If Applicable)

|                    |               |
|--------------------|---------------|
| Height (mm):       |               |
| Width (mm):        |               |
| Depth (mm):        |               |
| Gross Weight (kg): |               |
| Barcode:           | 5056211815600 |

### Product Details

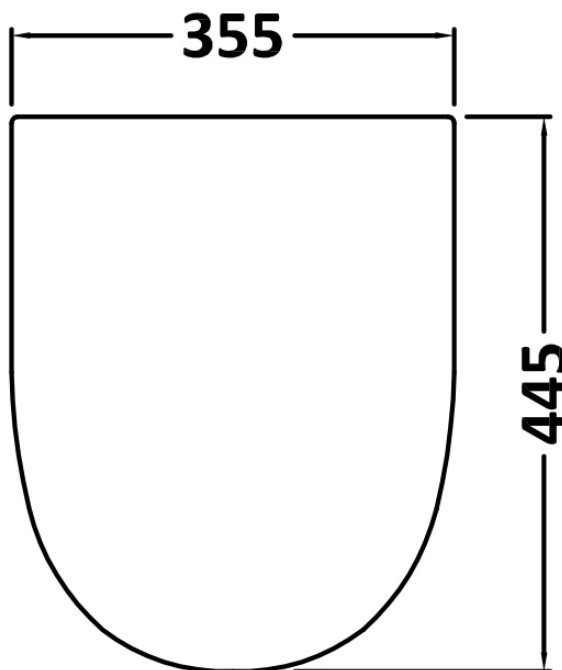
|                      |                |           |              |
|----------------------|----------------|-----------|--------------|
| Country of Origin:   | Turkey         |           |              |
| Fitting Instruction: | No             |           |              |
| Certification:       | CE: Yes        | WRAS: N/A | WRAS No: N/A |
| Product Material:    | Vitreous China |           |              |
| Fixing Supplied:     | No             |           |              |

**Pans/Bidets:** Trap Style: P Trap Includes Seat: No

**Seats:** Seat Type: Round Material: Not Applicable  
 Function: Not Applicable Hinge Type: Top Fix  
 Hinge Material: Not Applicable

**Cisterns:** Operating Type: Not Applicable Fittings: Not Applicable  
 Lever Type: Not Applicable

**Basins:** Tap Hole: Not Applicable Chain Stay Hole: Not Applicable  
 Template: Not Applicable Waste Type Req: Not Applicable  
 Overflow Inc: Not Applicable Overflow Cover: Not Applicable  
 Inner Bowl Depth (mm): N/A

**Sales Code:** NCU699**Description:** Soft Close Seat**Product Dimensions**

|                   |     |
|-------------------|-----|
| Length (mm):      | 445 |
| Width (mm):       | 355 |
| Height (mm):      | 45  |
| Nett Weight (kg): | 2   |

**Packaging Dimensions**

|                    |     |
|--------------------|-----|
| Length (mm):       | 500 |
| Width (mm):        | 365 |
| Height (mm):       | 50  |
| Gross Weight (kg): | 2.4 |

**Packaging Data**

|               |                               |
|---------------|-------------------------------|
| Box Colour:   | White Cardboard Box - Printed |
| Box Qty:      | 1                             |
| Label Size:   | 100 x 50                      |
| Label Colour: | Not Applicable                |
| Label Qty:    | 1                             |

**Outer Box Dimensions (If Applicable)**

|                    |               |
|--------------------|---------------|
| Length (mm):       | 400           |
| Width (mm):        | 470           |
| Height (mm):       | 475           |
| Gross Weight (kg): |               |
| Barcode:           | 5055369030934 |

**Product Details**

|                      |                |
|----------------------|----------------|
| Country of Origin:   | Turkey         |
| Fitting Instruction: | No             |
| CE Certification:    | Not Applicable |
| Product Material:    | Polypropylene  |
| Seat Type:           | D Shape        |
| Seat Function:       | Soft Close     |
| Hinge Centres (Min): | 150            |
| Hinge Centres (Max): | 186            |
| Hinge Material:      | Polypropylene  |
| Colour/Finish:       | White          |
| Fixing Method:       | Top Fix        |