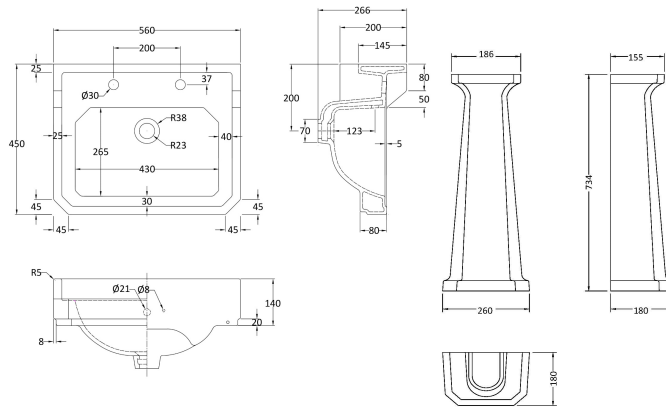


Sales Code: Ccr029

Description: 560mm 2Th Basin & Comfort Height Ped

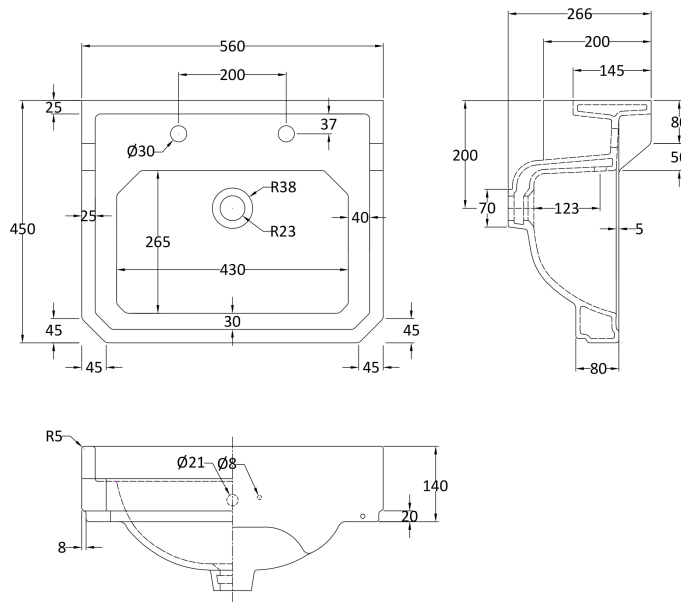


### Packaging Details

Barcode: 5056211818571

Sales Code: NCS884

Description: 560mm Basin 2Th



### Product Dimensions

Height (mm):	266
Width (mm):	560
Depth (mm):	450
Nett Weight (kg):	16.7

### Packaging Dimensions

Height (mm):	287
Width (mm):	575
Depth (mm):	490
Gross Weight (kg):	17.5

### Packaging Data

Box Colour:	Brown Cardboard Box - Printed
Box Qty:	1
Label Size:	100 x 50
Label Colour:	Not Applicable
Label Qty:	0

### Outer Box Dimensions (If Applicable)

Height (mm):	
Width (mm):	
Depth (mm):	
Gross Weight (kg):	
Barcode:	5055369040025

### Product Details

Country of Origin:	China
Fitting Instruction:	No
Certification:	CE: N/A WRAS: N/A WRAS No: N/A
Product Material:	Vitreous China
Fixing Supplied:	No

**Pans/Bidets:** Trap Style: Not Applicable Includes Seat: Not Applicable

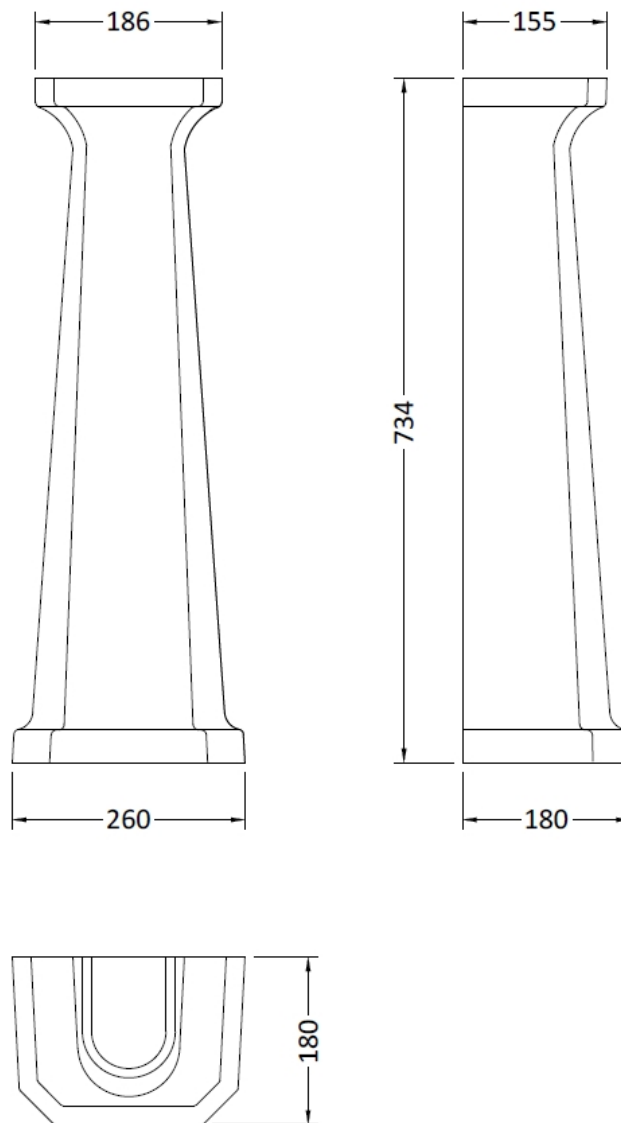
**Seats:** Seat Type: Not Applicable Material: Not Applicable  
Function: Not Applicable Hinge Type: Not Applicable  
Hinge Material: Not Applicable

**Cisterns:** Operating Type: Not Applicable Fittings: Not Applicable  
Lever Type: Not Applicable

**Basins:** Tap Hole: Two Tapholes Chain Stay Hole: Yes  
Template: Not Required Waste Type Req: Slotted With Plug  
Overflow Inc: Yes Overflow Cover: Yes  
Inner Bowl Depth (mm): 110mm

Sales Code: NCS853

Description: Comfort Height Full Pedestal



**Product Dimensions**

Height (mm):	734
Width (mm):	260
Depth (mm):	180
Nett Weight (kg):	11.5

**Packaging Dimensions**

Height (mm):	140
Width (mm):	285
Depth (mm):	715
Gross Weight (kg):	12

**Packaging Data**

Box Colour:	
Box Qty:	
Label Size:	x
Label Colour:	
Label Qty:	

**Outer Box Dimensions (If Applicable)**

Height (mm):	
Width (mm):	
Depth (mm):	
Gross Weight (kg):	
Barcode:	5055275895559

**Product Details**

Country of Origin:	China
Fitting Instruction:	No
Certification:	CE: WRAS: N/A WRAS No: N/A
Product Material:	Vitreous China
Fixing Supplied:	No

**Pans/Bidets:** Trap Style: Not Applicable Includes Seat: Not Applicable

**Seats:** Seat Type: Not Applicable Material: Not Applicable  
 Function: Not Applicable Hinge Type: Not Applicable  
 Hinge Material: Not Applicable

**Cisterns:** Operating Type: Not Applicable Fittings: Not Applicable  
 Lever Type: Not Applicable

**Basins:** Tap Hole: Not Applicable Chain Stay Hole: Not Applicable  
 Template: Not Applicable Waste Type Req: Not Applicable  
 Overflow Inc: Not Applicable Overflow Cover: Not Applicable  
 Inner Bowl Depth (mm): N/A