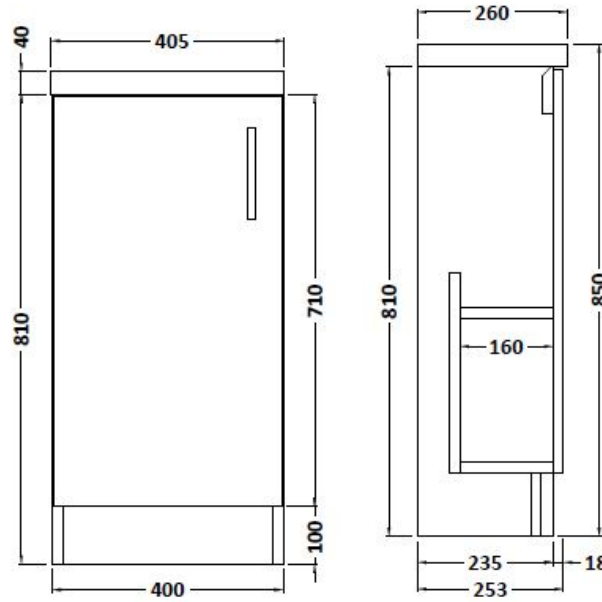


Sales Code: APL722C

Description: Apollo Fs 400mm Compact Basin Unit

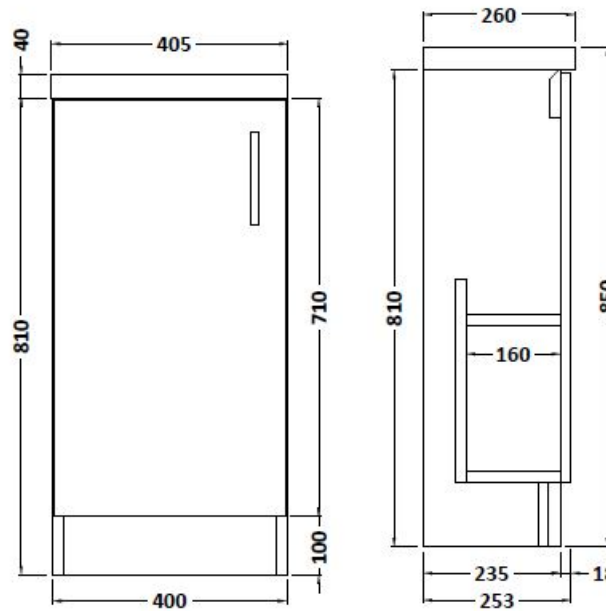


Packaging Details

Barcode: 5055275886908

Sales Code: FMA722C

Description: 400mm Single Door F/S (Compact)



Product Dimensions

| | |
|-------------------|------|
| Height (mm): | 850 |
| Width (mm): | 400 |
| Depth (mm): | 255 |
| Nett Weight (kg): | 13.2 |

Packaging Dimensions

| | |
|--------------------|------|
| Height (mm): | 780 |
| Width (mm): | 395 |
| Depth (mm): | 232 |
| Gross Weight (kg): | 14.2 |

Packaging Data

| | |
|---------------|---------------------|
| Box Colour: | Brown Cardboard Box |
| Box Qty: | 1 |
| Label Size: | 100 x 50 |
| Label Colour: | White Label |
| Label Qty: | 2 |

Outer Box Dimensions (If Applicable)

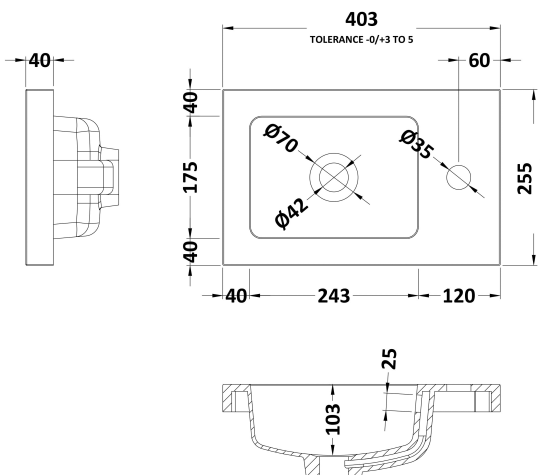
| | |
|--------------------|---------------|
| Height (mm): | |
| Width (mm): | |
| Depth (mm): | |
| Gross Weight (kg): | |
| Barcode: | 5055369096480 |

Product Details

| | |
|-------------------------|------------------------------|
| Country of Origin: | Ireland |
| Fitting Instruction: | No |
| Certification: | FSC: Yes CE: N/A |
| Colour: | Cashmere Gloss |
| Construction Method: | Glue & Dowelled |
| Construction Type: | Rigid |
| Cabinet Finish: | MFC Gloss |
| Fascia Finish: | Mdf Vinyl Gloss |
| Cabinet Thickness (mm): | 18 |
| Fascia Thickness (mm): | 18 |
| Drawer Included: | No |
| Drawer Type: | Not Applicable |
| No of Shelves: | 1 |
| Hinge Type: | 95 Degree Clip-On Soft Close |
| Hinge Included: | Yes |
| Adjustable Legs: | Yes, Supplied |
| Fixings Included: | Yes |
| Handle Style: | Contemporary |
| Handle Included: | Yes |
| Waste Shroud: | No |
| Handle Type: | Strap |

Sales Code: PMB301

Description: 400 Side Tap Basin 1Th (402.5X255x40)



Product Dimensions

| | |
|-------------------|------|
| Height (mm): | 255 |
| Width (mm): | 403 |
| Depth (mm): | 135 |
| Nett Weight (kg): | 6.01 |

Packaging Dimensions

| | |
|--------------------|------|
| Height (mm): | 315 |
| Width (mm): | 205 |
| Depth (mm): | 455 |
| Gross Weight (kg): | 6.01 |

Packaging Data

| | |
|---------------|---|
| Box Colour: | |
| Box Qty: | |
| Label Size: | x |
| Label Colour: | |
| Label Qty: | |

Outer Box Dimensions (If Applicable)

| | |
|--------------------|---------------|
| Height (mm): | |
| Width (mm): | |
| Depth (mm): | |
| Gross Weight (kg): | |
| Barcode: | 5055369063024 |

Product Details

| | |
|----------------------|--------------------------------|
| Country of Origin: | China |
| Fitting Instruction: | No |
| Certification: | CE: Yes WRAS: N/A WRAS No: N/A |
| Product Material: | Polymarble |
| Fixing Supplied: | No |

Pans/Bidets: Trap Style: Not Applicable Includes Seat: Not Applicable

Seats: Seat Type: Not Applicable Material: Not Applicable
Function: Not Included Hinge Type: Not Relevant
Hinge Material: Not Applicable

Cisterns: Operating Type: Not Applicable Fittings: None Included
Lever Type: Not Applicable

Basins: Tap Hole: One Taphole Chain Stay Hole: No
Template: Not Required Waste Type Req: Slotted
Overflow Inc: Overflow Cover: Yes
Inner Bowl Depth (mm): 103mm