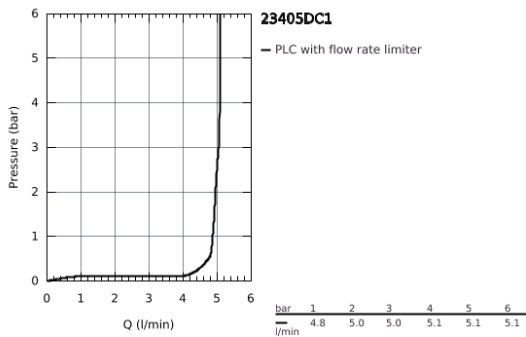
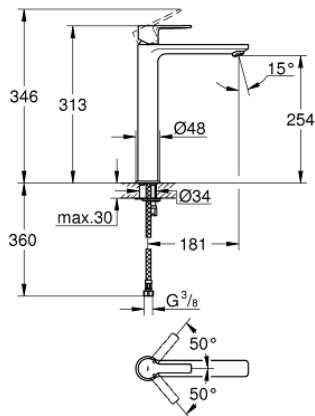


23 405 DC1 **LINEARE BASIN MIXER 1/2"**  
**XL-SIZE**

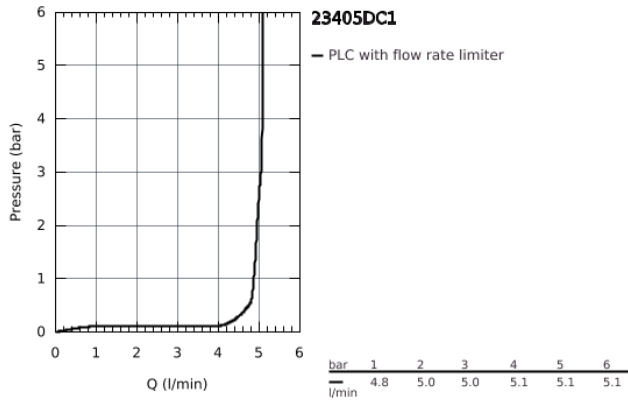


**PRODUCT DESCRIPTION**

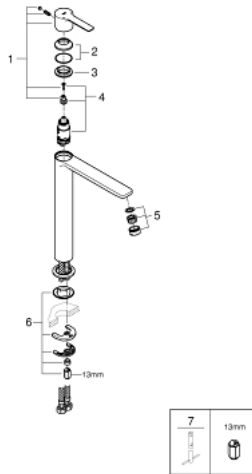
- monobloc installation
- metal lever
- **for free-standing basins**
- 28 mm ceramic cartridge with **GROHE SilkMove**
- with temperature limiter
- **GROHE StarLight** finish
- **GROHE EcoJoy** SpeedClean mousseur 5.7 l/min
- **GROHE FastFixation Plus** rapid installation system
- smooth body
- flexible connection hoses
- min. recommended pressure 1.0 bar



## 23 405 DC1 LINEARE BASIN MIXER 1/2" XL-SIZE



## 23 405 DC1 LINEARE BASIN MIXER 1/2" XL-SIZE



### SPARE PARTS, September 2016 – now

- 1: Lever (Order-nr. 46980DC0)
- 2: Shield for cross handle (Order-nr. 46581DC0)
- 3: retaining ring (Order-nr. 07419000)
- 4: Cartridge (Order-nr. 46580000)
- 5: Flow restrictor (Order-nr. 48159DC0)
- 6: Shank mounting kit (Order-nr. 46645000)
- 7: Mounting wrench (Order-nr. 19017000)\*

\* Optional accessories