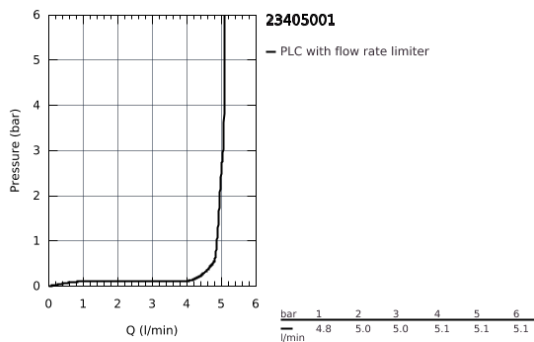
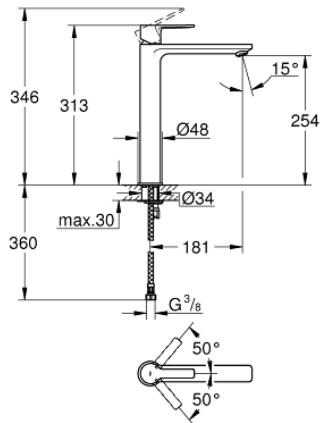


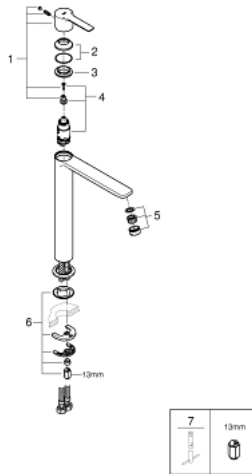
23 405 001 LINEARE BASIN MIXER 1/2"
XL-SIZE



PRODUCT DESCRIPTION

- monobloc installation
- metal lever
- **for free-standing basins**
- 28 mm ceramic cartridge with **GROHE SilkMove**
- with temperature limiter
- **GROHE StarLight** chrome finish
- **GROHE EcoJoy** SpeedClean mousseur 5.7 l/min
- **GROHE FastFixation Plus** rapid installation system
- smooth body
- flexible connection hoses
- min. recommended pressure 1.0 bar

23 405 001 LINEARE BASIN MIXER 1/2"
XL-SIZE



SPARE PARTS, July 2016 – now

- 1: Lever (Order-nr. 46980000)
 - 2: Shield for cross handle (Order-nr. 46581000)
 - 3: retaining ring (Order-nr. 07419000)
 - 4: Cartridge (Order-nr. 46580000)
 - 5: Flow restrictor (Order-nr. 48159000)
 - 6: Shank mounting kit (Order-nr. 46645000)
 - 7: Mounting wrench (Order-nr. 19017000)*
- * Optional accessories